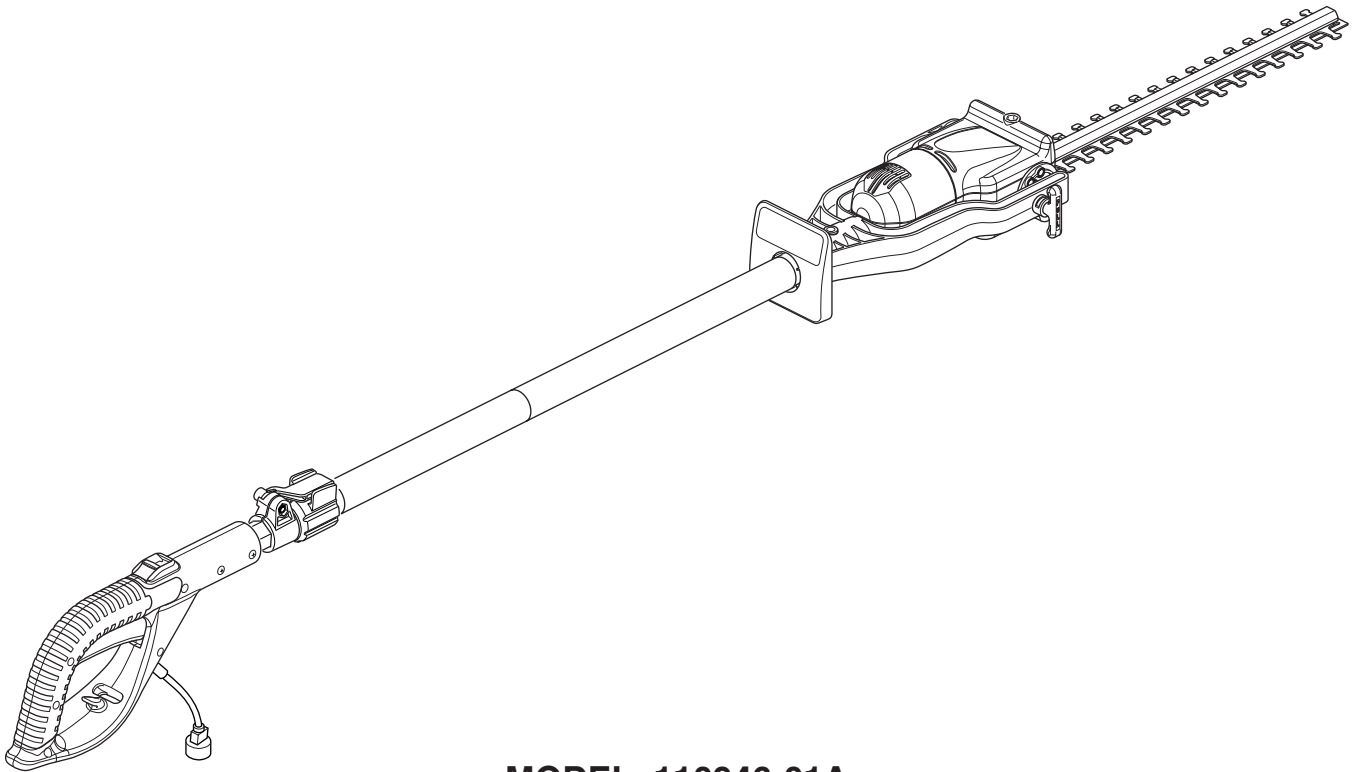


REMINGTON®

AXCESS TRIMMER™

Electric Pole Trimmer

OWNER'S MANUAL



MODEL: 110946-01A

If you have a question or problem,
CALL TOLL FREE 1-800-858-8501
or visit www.desatech.com

IMPORTANT: Read and understand this manual before assembling or operating this Pole Trimmer. Improper use of Pole Trimmer can cause severe injury or death. Keep this manual for future reference.



REMINGTON®

ELECTRIC POLE TRIMMER

SAFETY WARNINGS

⚠ WARNING: When using electric Pole Trimmers, basic safety precautions should always be followed to reduce the risk of fire, electric shock, and personal injury.

⚠ WARNING: This product contains chemicals known to the State of California to cause cancer or birth defects, or other reproductive harm.

BEFORE OPERATING POLE TRIMMER

READ ALL INSTRUCTIONS BEFORE OPERATING POLE TRIMMER.

- Stay Alert** – Watch what you are doing. Use common sense when operating Pole Trimmer.
- Avoid Dangerous Environments**
 - Do not operate Pole Trimmer in rain or in damp or wet locations.
 - Do not operate Pole Trimmer while under the influence of alcohol, medications, or drugs.
 - Do not operate Pole Trimmer when you are tired.
 - Do not operate Pole Trimmer where highly-flammable liquids or gases are present.
 - Do not operate Pole Trimmer while standing on a ladder or in a tree.
 - Do not operate Pole Trimmer if it is damaged or not securely and fully assembled.
- Keep Children Away** – Keep all visitors a safe distance from work area.
- Do not use Pole Trimmer for any job except that for which it is intended.
- Only well instructed adults should operate Pole Trimmer. Never allow children to operate Pole Trimmer.
- Dress Properly When Operating Pole Trimmer**
 - Do not wear loose clothing or jewelry that can get caught in the moving blades or parts of the Pole Trimmer.

- Always wear rubber gloves and substantial foot wear when working outside.
 - Always wear protective hair covering to contain long hair.
 - Always wear a face or dust mask if operation is dusty.
- Always wear eye protection that meets or exceeds the requirements of ANSI Z87.1.
 - Use only electrical voltage noted on model nameplate on Pole Trimmer.

⚠ WARNING: To reduce the risk of electric shock, use only with an extension cord intended for outdoor use, such as SW-A, SOW-A, STW-A, STOW-A, SJW-A, SJOW-A, SJTW-A, or SJTOW-A.

- Extension Cord** – Make sure your extension cord is in good condition. When using an extension cord, be sure to use one heavy enough to carry the current your Pole Trimmer will draw. An undersized extension cord will cause a drop in line voltage resulting in loss of power and overheating.

The table below shows the correct size extension cord to use depending on cord length and nameplate ampere rating. If in doubt, use the next larger gage cord. The smaller the gage number, the larger the cord. To reduce the risk of disconnection of Pole Trimmer from the extension cord during operation, use the cord hitch described in this manual.

Volts	Total Length of Cord in Feet			
	25	50	100	150
Ampere Rating	AWG			
0-6	18	16	16	14

- Provide Ground Fault Circuit Interrupter (GFCI) protection on the circuit or outlet to be used for Pole Trimmer. You may use receptacles with built-in GFCI protection for this safety measure.
- Do not operate Pole Trimmer near electric power lines, telephone, or cable lines. Keep Pole Trimmer at least 10 feet away from any power lines or cables.

WHILE OPERATING POLE TRIMMER

- Stay Alert** – Watch what you are doing. Use common sense.
- Be aware of extension cord while operating Pole Trimmer. Be careful not to trip over extension cord. Keep extension cord away from cutter blades at all times.
- Avoid Unintentional Starting** – Do not carry plugged-in Pole Trimmer with finger on switch. Be sure switch is OFF when plugging in Pole Trimmer.
- Do Not Overreach** – Keep proper footing and balance at all times when operating Pole Trimmer.

⚠ DANGER - RISK OF CUT – Keep hands away from blades at all times. Keep both hands on handle areas when Pole Trimmer is on. Do not attempt to remove cut material nor hold material to be cut when blades are moving. Do not grasp the exposed cutting blades or cutting edges when picking up or holding the Pole Trimmer.

⚠ CAUTION - Blades coast after turn off.

- Disconnect Pole Trimmer** – Disconnect the Pole Trimmer from the power supply
 - when not in use
 - before servicing
 - when changing accessories such as blades
 - when clearing jammed material from blades
 - when moving from one worksite to another
- Do Not Force Pole Trimmer** – It will do the job better and with less likelihood of a risk of injury at the rate for which it was designed.
- Do Not Abuse Power Cord** – Never carry Pole Trimmer by power cord or yank it to disconnect from receptacle. Keep power cord from heat, oil, and sharp edges.
- Before starting Pole Trimmer, make sure blades are not touching anything.

OWNER'S MANUAL

SAFETY WARNINGS

Continued

MAINTENANCE AND STORAGE OF POLE TRIMMER

- Maintain Pole Trimmer With Care**
 - Keep cutting edge sharp and clean for best performance and to reduce the risk of injury
 - Periodically apply a light coat of oil to the cutter blades for lubrication (motor oil is preferred).
 - Inspect Pole Trimmer cord periodically, and if damaged, have it repaired by an authorized service facility
 - Inspect extension cords periodically and replace if damaged
 - Keep handles dry, clean, and free from oil and grease
- Check Damaged Parts**
 - If a part is damaged, carefully check the damaged part before using the Pole Trimmer. Make sure the part will operate properly and perform its intended function.
 - Check for alignment of moving parts, binding of moving parts, breakage of parts, mounting, and any other condition that may affect its operation.
 - A guard or other part that is damaged should be properly repaired or replaced by an authorized service center unless indicated elsewhere in this manual.
- When servicing Pole Trimmer, use only identical replacement parts.
- To reduce the risk of electric shock, the Pole Trimmer has a polarized plug (one blade is wider than the other) and will require the use of a polarized extension cord. The Pole Trimmer's plug will fit into a polarized extension cord only one way. If the plug does not fit fully into the extension cord, reverse the plug. If the plug still does not fit, obtain a correct polarized extension cord. A polarized extension cord will require the use of a polarized wall outlet. This plug will fit into the polarized wall outlet only one way. If the plug does not fit fully into the wall outlet, reverse the plug. If the plug still does not fit, contact a qualified electrician to install

the proper wall outlet. Do not change the Pole Trimmer plug, extension cord receptacle, or extension cord plug in any way.

- Store Idle Pole Trimmer Indoors** – When not in use, the Pole Trimmer should be stored indoors in a dry location. Store Pole Trimmer above the reach of children or in a locked area out of the reach of children.

This manual is your guide to safe and proper operation of the Pole Trimmer.

SAVE THESE INSTRUCTIONS.

PRODUCT IDENTIFICATION

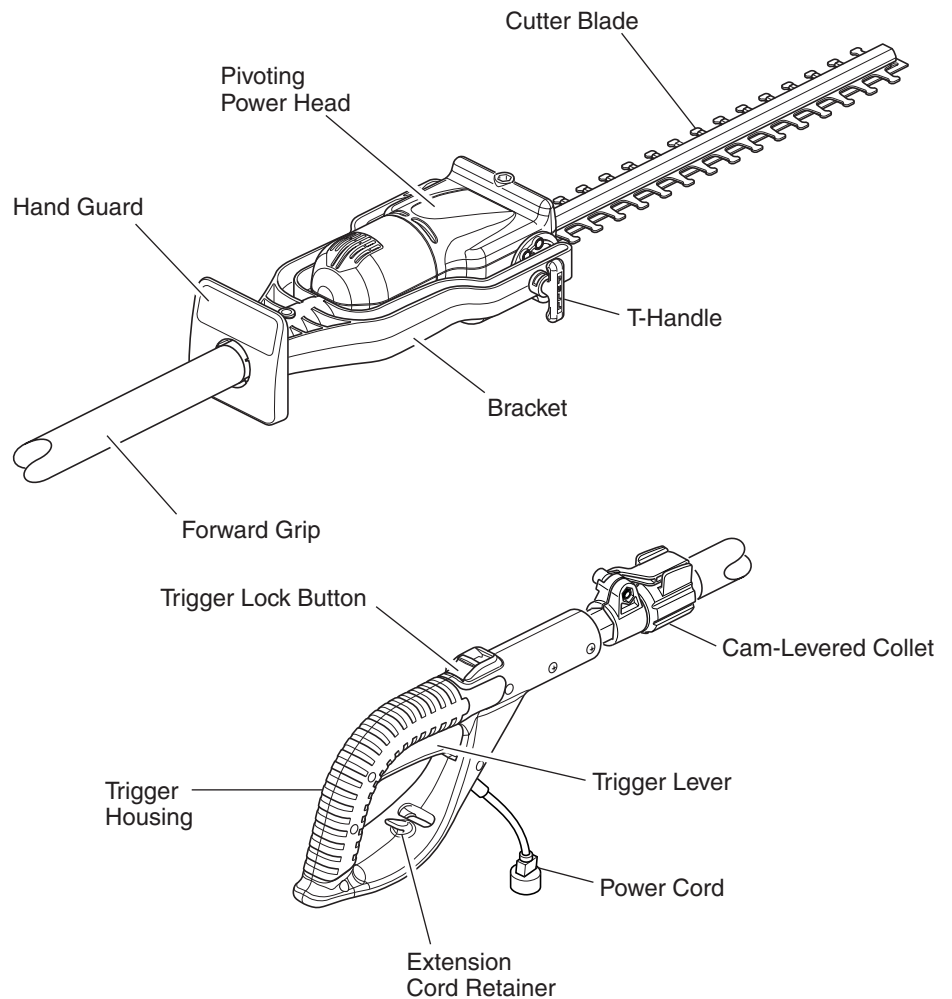


Figure 1 - Product Identification: Remington Pole Trimmer

UNPACKING

- Remove Pole Trimmer and all other items from box. The Pole Trimmer comes fully assembled and ready to use.
- Check all items for shipping damage. If you find any damage or if any parts are missing, promptly inform the dealer where you bought the Pole Trimmer or call 1-800-858-8501.

REMINGTON®

ELECTRIC POLE TRIMMER

OPERATING POLE TRIMMER

⚠ WARNING: Read and understand this owner's manual before operating Pole Trimmer. Make certain you read and understand all *Safety Warnings* on pages 2 and 3 of this manual. Improper use of this Pole Trimmer can result in severe injury or death from fire, electric shock, or body contact with moving parts.

PIVOTING THE POWER HEAD

The Pole Trimmer is equipped with a power head that pivots. The power head is able to pivot a full 180 degrees. The power head has a spring-loaded T-handle that allows it to be locked into several different positions within its 180-degree rotation.

Before connecting the Pole Trimmer to the electrical supply, make sure the power head is locked into position. Do this by trying to rotate the power head in either direction. The power head should be locked in position and should not rotate.

To pivot the power head, follow the instructions below.

1. Pull out on the T-handle located on the side of the pivot bracket. The T-handle is spring-loaded, so you will feel some resistance when pulling it out.

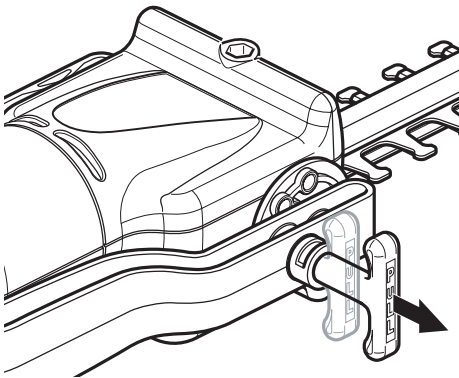


Figure 2 - Pulling Out T-Handle to Rotate Power Head

2. Grasp the power head motor housing and rotate the power head to either the 0, 45, or 90 degree position.

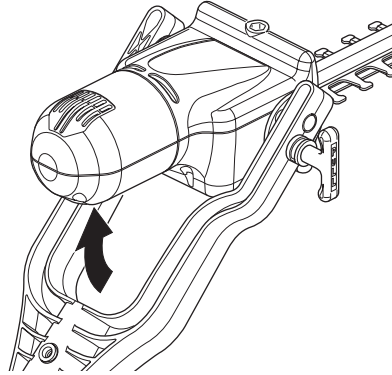


Figure 3 - Rotating Power Head

3. Release the T-handle. It should snap back into its seated position. If it does not, rotate the power head back and forth slightly until the T-handle snaps back into its seated position. The power head is now locked into position and ready for use.

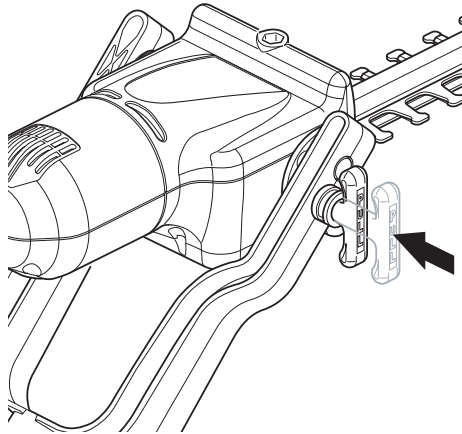


Figure 4 - Locking Power Head Into Position

EXTENSION CORDS

Use proper extension cord with this Pole Trimmer. Use only extension cords marked for outdoor use. The cord must be marked with suffix W or W-A following the cord type designation. *Example:* SJTW-A or SJTW.

Use proper sized cord with this Pole Trimmer. Cord must be heavy enough to carry current needed. An undersized cord will cause voltage drop at Pole Trimmer. Pole Trimmer will lose power and overheat. Follow cord size requirements listed below.

Cord Length	AWG Cord Size
25 feet	18 AWG
50 feet	16 AWG
100 feet	16 AWG
150 feet	14 AWG

Keep cord away from cutting area. Make sure cord does not catch on branches during cutting. Inspect cord often. Replace damaged cords.

CONNECTING EXTENSION CORD

The Pole Trimmer has a built-in extension cord retainer to prevent the accidental disconnection of the unit from the extension cord during use. It is molded into the lower hand guard area of the trigger housing.

1. Make sure the trigger lever is in the OFF position (see *Starting the Pole Trimmer*, page 5).
2. Plug the power cord into the extension cord.

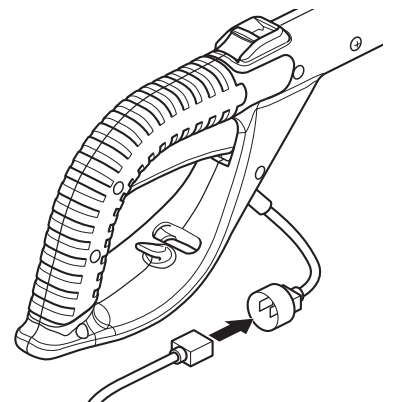


Figure 5 - Plugging Pole Trimmer Power Cord to Extension Cord

OPERATING POLE TRIMMER Continued

3. Create a loop in the extension cord and insert the loop through the bottom of the handle. Pull the loop tight around the molded cord hook (see Figures 6 and 7).

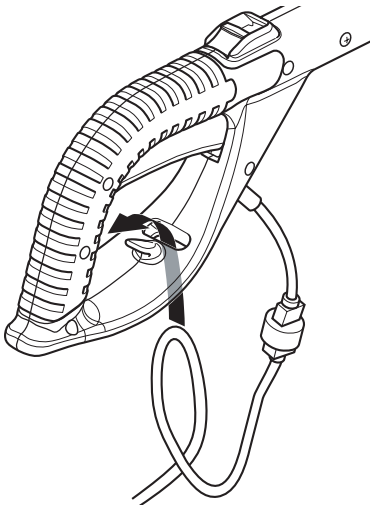


Figure 6 - Inserting Extension Cord Loop Through Bottom of Handle

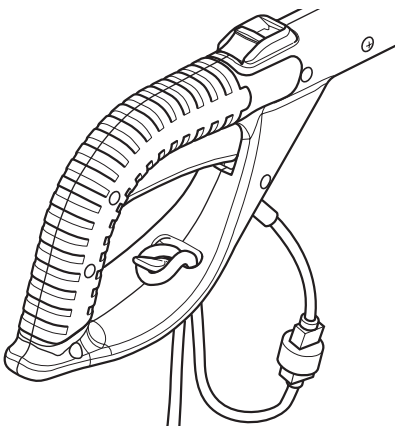


Figure 7 - Extension Cord Loop Tight Around Molded Cord Hook

Note: An optional method of retaining the extension cord is shown in Figure 8 for use with larger-gage cords that may not fit into the extension cord retainer.

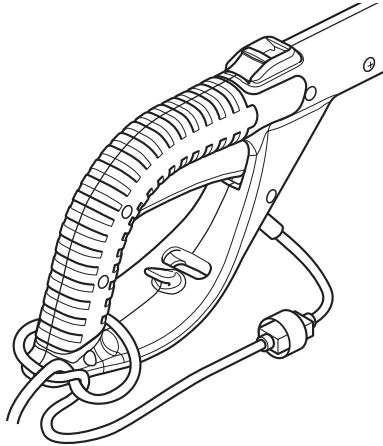


Figure 8 - Optional Method of Retaining Extension Cord

STARTING THE POLE TRIMMER

The Pole Trimmer has a trigger lock button located on top of the handle. This safety feature locks the trigger in the OFF position, preventing accidental starting of the Pole Trimmer.

The trigger lock button has three positions.

Position 1 locks the trigger.

Position 2 allows you to squeeze the trigger and operate the Pole Trimmer. The trigger lock button will automatically spring back to Position 1 when you release the trigger.

Position 3 allows you to lock the trigger in the ON position. This is helpful during continuous trimming for extended periods of time.

Unlocking the Trigger to Start the Pole Trimmer

1. Using your thumb, push the trigger lock button forward to Position 2. Squeeze the trigger lever to the ON position. The Pole Trimmer will start running.

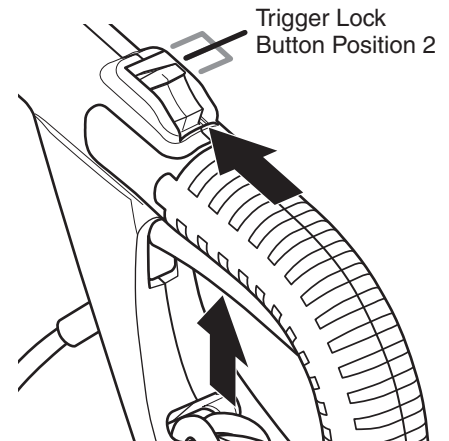


Figure 9 - Manually Operating Trigger with Trigger Lock Button in Position 2

2. Release the trigger lock button while the Pole Trimmer is running. The lock button resets to Position 1 each time you release the trigger to the OFF position.

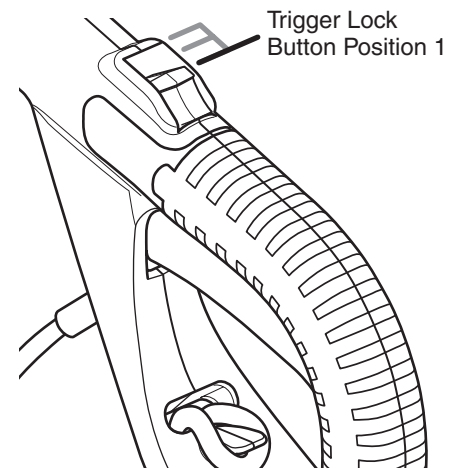


Figure 10 - Trigger in OFF Position with Trigger Lock Button in Position 1

Continued

REMINGTON®

ELECTRIC POLE TRIMMER

OPERATING POLE TRIMMER

Continued

Locking the Pole Trimmer ON

1. Push the trigger lock button forward to Position 2 and squeeze the trigger lever to the ON position. The Pole Trimmer will start running.
2. While the Pole Trimmer is running, push the trigger lock button forward again to Position 3. Hold the button there while releasing the trigger lever, then release the lock button. This locks the trigger lever in the ON position and the Pole Trimmer will continue running.
3. To turn the Pole Trimmer OFF, squeeze the trigger lever and release it. The trigger lock button will reset to Position 1, locking the trigger in the OFF position.

Note: If the Pole Trimmer is locked ON during use and the Pole Trimmer becomes disconnected from the power supply, Disengage the lock ON feature before reconnecting to the power supply.

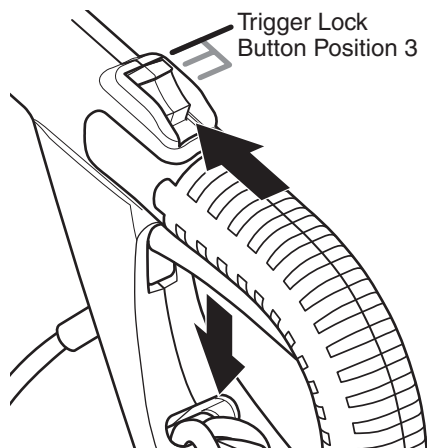


Figure 11 - Locking Trigger in ON Position with Trigger Lock Button in Position 3

ADJUSTING POLE LENGTH

The Remington® Pole Trimmer has a telescoping pole assembly that has an extendable range of 10 inches. A cam levered collet is used to hold the pole in position at any extended length.

1. To extend the pole, unlock the clamping lever as shown in Figure 12. Pole will slide freely.
2. Pull inner pole section out to desired length of extension.
3. To lock pole in position, tighten clamping lever as shown in Figure 12.

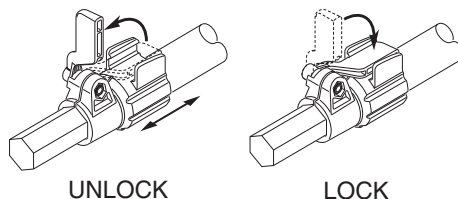


Figure 12 - Extending Telescopic Pole

USING THE POLE TRIMMER

The Pole Trimmer is a dual-purpose tool. It is designed to trim and shape tall, hard-to-reach hedges and bushes with its extended reach and pivoting power head. You can also adjust the Pole Trimmer to trim and shape smaller hedges and shrubs near the ground without having to bend or stoop.

OPERATING POSITIONS

To use the Pole Trimmer for trimming tall, hard-to-reach hedges or shrubs, hold the Pole Trimmer at the positions shown in Figure 13. Pivot the power head to several different positions to shape or sculpt shrubs or hedges.



Figure 13 - Trimming Tall Hedges or Shrubs

To use the Pole Trimmer for trimming smaller hedges or shrubs, hold the Pole Trimmer at the positions shown in Figure 14.

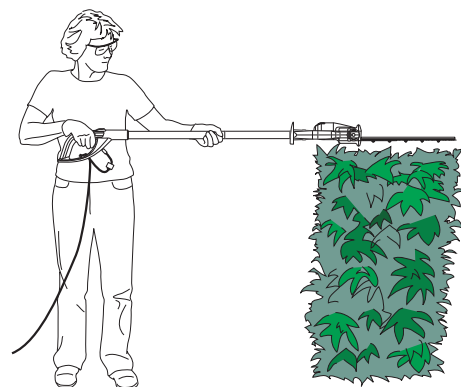


Figure 14 - Trimming Smaller Hedges or Shrubs

OPERATING POLE TRIMMER

Continued

To use the Pole Trimmer for trimming the bottoms and sides of hedges and shrubs, hold the Pole Trimmer at the positions shown in Figure 15.



Figure 15 - Trimming Bottoms and Sides of Hedges and Shrubs

To use the Pole Trimmer for trimming low-lying foliage or ground cover, hold the Pole Trimmer at the position shown in Figure 16.



Figure 16 - Trimming Low Foliage or Ground Cover

TRIMMING A HEDGE

Use the Pole Trimmer properly. Always wear eye protection, rubber gloves, and substantial foot wear while using the Pole Trimmer. Always maintain proper footing and balance and never overreach when using Pole Trimmer. Before starting the Pole Trimmer, hold the unit with both hands on the grip areas. Make sure that the cutter blade is not touching anything.

Always keep the extension cord behind the Pole Trimmer when in use. Do not drape the cord over the hedge where it may be cut by the blades.

Use smooth steady sweeping motions to trim new growth. Do not try to cut too much at one time. This can cause the Pole Trimmer to slow down or get jammed, reducing the cutting efficiency.

Do not force the Pole Trimmer through dense growth. A slight back and forth sawing action may ease the cutting of larger, more dense growth. If the Pole Trimmer begins to slow down, reduce the rate of speed at which you are trying to cut.

If the Pole Trimmer becomes jammed, immediately turn Pole Trimmer off. Disconnect Pole Trimmer from the power supply and remove the jammed debris from the cutter blades.

Do not try to cut branches larger than 3/4 inch in diameter.

For best results, trim the sides of hedges with an upward sweeping motion. Trim the hedges so that the top is slightly narrower than the bottom. To trim extremely level hedges, use a string stretched along the length of the hedge as a guide (see Figure 17).

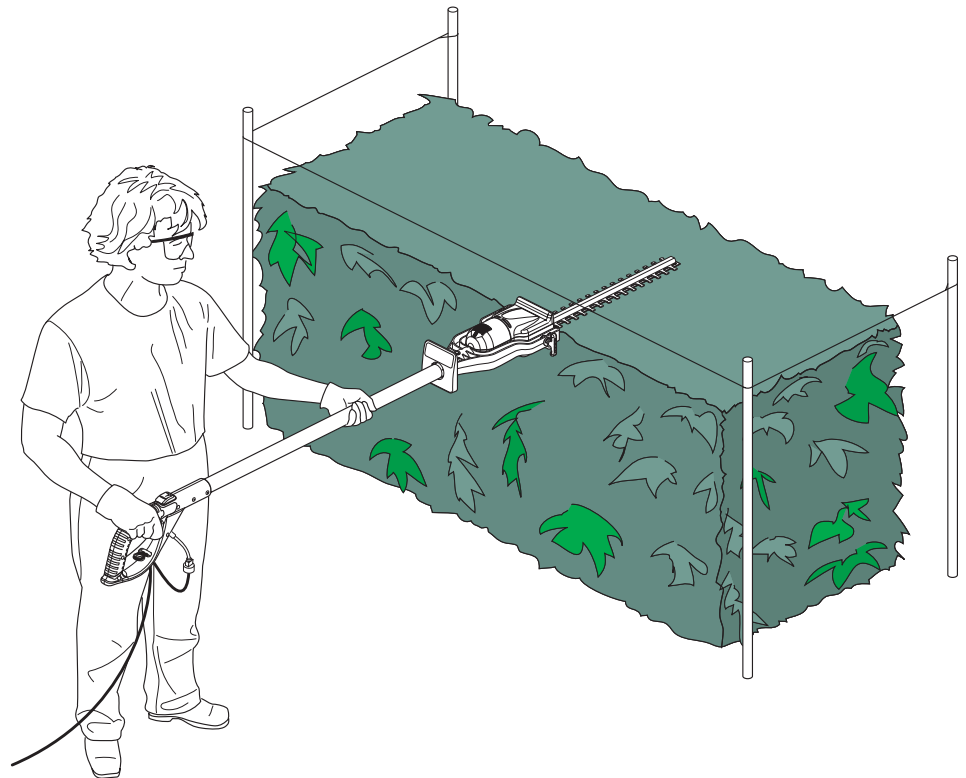


Figure 17 - Trimming Hedge

REMINGTON®

ELECTRIC POLE TRIMMER

CLEANING AND MAINTENANCE

⚠ WARNING: Disconnect Pole Trimmer from power supply before cleaning or servicing. Severe injury or death could occur from fire, electrical shock, or body contact with moving cutter blades.

⚠ WARNING: When cleaning Pole Trimmer:

- Do not submerge Pole Trimmer in any liquids
- Do not use products that contain Ammonia, Chlorine, or abrasives
- Do not use chlorinated cleaning solvents, Carbon Tetrachloride, Kerosene, or Gasoline.

Use a soft cloth dampened with a mild soap and water mixture to wipe Pole Trimmer pole, housing, and cutter blades clean. Do not spray or pour water directly onto Pole Trimmer.

Once the Pole Trimmer is cleaned, apply a light coat of oil to the cutter blades to prevent rust and provide lubrication (motor oil is preferred).

TROUBLESHOOTING

Note: For additional help, visit our technical service web site at www.desatech.com.

⚠ WARNING: Unplug Pole Trimmer from power source before servicing. Severe injury or death could occur from fire, electrical shock, or body contact with moving blades.

OBSERVED FAULT	POSSIBLE CAUSE	REMEDY
Motor does not run when you squeeze trigger lever	<ol style="list-style-type: none"> 1. Trigger lock button not pressed to release trigger lever 2. Extension cord connection is loose 3. Household circuit breaker is tripped or open line fuse 4. Bad motor brushes 5. Open wiring on Pole Trimmer 	<ol style="list-style-type: none"> 1. Push lock button forward and squeeze trigger lever (see <i>Starting the Pole Trimmer</i>, page 5) 2. Check cord connections 3. Check circuit breaker or line fuse 4. Call for Technical Service 5. Call for Technical Service
Motor runs, but cutting blades do not move	Pole Trimmer damaged. Do not use Pole Trimmer	Call for Technical Service
Pole Trimmer smokes during operation	Pole Trimmer damaged. Do not use Pole Trimmer	Call for Technical Service

SERVICING POLE TRIMMER

The Pole Trimmer is a double-insulated tool and contains some parts that can only be replaced with original parts by an Authorized Service Center. Visit our Technical Service web site at www.desatech.com or contact our Technical Service Department at 1-800-858-8501 (English Only) for the nearest Authorized Service Center.

The parts listed on pages 12 and 13 are considered to be user replaceable. See *Replacement Parts and Accessories*, page 10, for information on ordering these parts.

BLADE REPLACEMENT

⚠ WARNING: To prevent serious personal injury, wear gloves when removing and installing the cutter blades. Do not place fingers or hands between blades where they could get cut.

1. Unplug pole trimmer from power supply.
2. Place pole trimmer upside down on workbench and remove the four (4) bottom cover screws. Lift bottom cover off (see Figure 18).

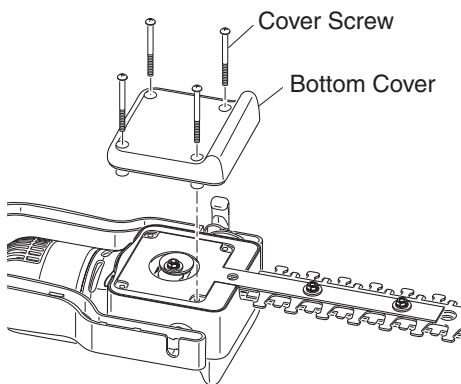


Figure 18 - Removing Bottom Cover from Trimmer Head

3. Remove M5 locknut and washer from cam (see Figure 19).
4. Align cam and cutter blade assembly. Remove cam. (see Figure 19).

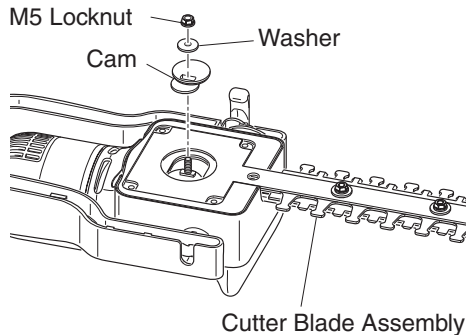


Figure 19 - Removing Cam

5. Remove screw that holds down cutter blade assembly (see Figure 20). **IMPORTANT:** Be sure not to loose the 8-32 locknut that secures this screw.

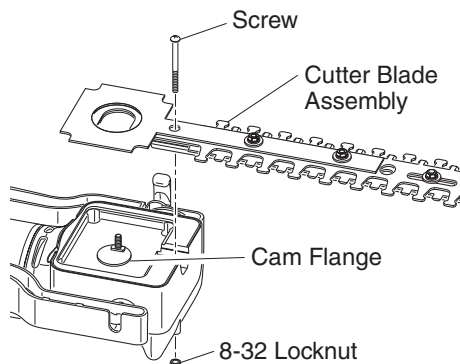


Figure 20 - Removing Cutter Blade Assembly

6. Remove and dispose of cutter blade assembly.
7. Attach new cutter blade assembly to power head with screw and locknut removed in step 5.
8. Align cutter blade assembly so that the cam will fit properly into the oval-shaped lobes of the cutter blade assembly (see Figure 19). **IMPORTANT:** The large diameter flange of the cam must face upward away from the power head. The small diameter flange of the cam must line up with and sit directly on top of the cam flange.
9. Replace washer and locknut removed in step 3. Tighten securely.
10. Replace the bottom cover and secure with the 4 bottom cover screws removed in step 2 (see Figure 18). Tighten screws securely.

⚠ WARNING: All components must be installed and securely fastened before plugging pole trimmer into power supply. Failure to do so may cause product damage or serious personal injury.

Note: If binding occurs after reassembly, repeat all of the previous steps making sure that cam aligns properly with cutter blade assembly.

REMINGTON®

ELECTRIC POLE TRIMMER

REPLACEMENT PARTS AND ACCESSORIES

For original replacement parts and accessories, contact your nearest Authorized Dealer or Authorized Service Center for this product. If they can not supply the part or accessory, contact your nearest Parts Central listed on page 11. Each Authorized Dealer, Authorized Service Center, and Parts Central is independently owned and operated.

See pages 12 and 13 for an Illustrated Parts List.

If you need additional referral information, contact our Technical Service Department (see *Technical Service*).

In Canada call 1-800-561-3372 for parts information.

TECHNICAL SERVICE

You may have further questions about assembling, operating, or maintaining this product. If so, you can visit our Technical Service web site at www.desatech.com or contact our Technical Service Department at 1-800-858-8501 (English Only). You may also write to:

DESA Specialty Products™
ATTN: Technical Service Specialty Products
P.O. Box 90004
Bowling Green, KY 42102-9004

When contacting DESA Specialty Products™, have ready

- Your Name
- Your Address
- Your Phone Number
- Model Number of Product
- Date of Purchase (Include copy of receipt for written requests).

REPAIR SERVICE

Note: Only use original replacement parts. This will protect your warranty coverage for parts replaced under warranty.

Each Authorized Service Center is independently owned and operated.

For additional Service Center or warranty information, call 1-800-858-8501 or visit our Technical Service web site at www.desatech.com.

WARRANTY SERVICE

If product requires warranty service, return it to nearest Authorized Service Center. You must show proof of purchase. If faulty materials or workmanship caused damage, we will repair or replace product without charge. *Note:* Normal wear, misuse, abuse, neglect, or accidental damage is not covered under warranty.

NON-WARRANTY SERVICE

If product requires service, return it to nearest Authorized Service Center. Repairs will be billed to you at regular repair list prices.

OWNER'S MANUAL

PARTS CENTRAL

Ray's Portable Heater Service

3191 Myers Road
Camino, **CA** 95709-9550
530-644-7716

Tool & Equipment Service Solutions, LLC

5 Manila Drive
Hamden, **CT** 06514-0322
203-248-7553
1-800-397-7553

Grainger Parts Operation

1657 Shermer Road
Northbrook, **IL** 60062-5362
708-498-5900
1-800-323-0620
www.grainger.com

Portable Heater Parts

342 North County Road 400 East
Valparaiso, **IN** 46383-9704
219-462-7441
1-800-362-6951
www.portableheaterparts.com
sales@portableheaterparts.com
techservice@portableheaterparts.com

FBD

1349 Adams Street
Bowling Green, **KY** 42103-3414
270-846-1199
1-800-654-8534
franktalk@aol.com

Lyons & Lyons Sales Co. Inc.

Glen Arm Road
Glen Arm, **MD** 21057-9454
301-665-6500
1-800-333-5966
lyonsco@erols.com

Master Part Distributors

1251 Mound Avenue NW
Grand Rapids, **MI** 49504-2672
616-791-0505
1-800-446-1446
www.masterparts.net

Hance Distributors, Inc.

12795 16th Avenue North
Plymouth, **MN** 55441-4556
763-559-2299
www.hanceco.com

Automotive Equipment Service

1651 E. Kansas City Road
Olathe, **MO** 66061
816-531-9144
1-800-843-3546
www.aes-lawnparts.com

Bowden Electric Motor Service

1681 S. Wesleyan Blvd.
Rocky Mount, **NC** 27803
252-446-4203

East Coast Energy

10 East Route 36
West Long Branch, **NJ** 07764-1501
1-800-755-8809

Forrest Lytle and Sons, Inc.

740 West Galbraith Road
Cincinnati, **OH** 45231-6002
513-521-1464

Bortz Chain Saw Shop

Road #2, Box 64A
Oley, **PA** 19547-9412
610-987-6452

21st Century

2950 Fretz Valley Road
Perkasie, **PA** 18944-4034
215-795-0400
1-800-325-4828

La Porte's

2444 N 5th Street
Hartsville, **SC** 29550-7704
843-332-0191

MTA Distributors

555 Hickory Hills Blvd.
Nashville, **TN** 37189-9244
615-299-8777
1-800-264-0225

Webbs Appliance Center

1519 Church Street
Nashville, **TN** 37203-3004
615-329-4079
1-800-899-4079

Industrial Hardware

4109 Bainbridge Blvd.
Chesapeake, **VA** 23324-1403
757-543-2232
1-800-788-0008
catatem@erols.com

Mills Lawn and Garden

4750-B Baxter Road
Virginia Beach, **VA** 23462
757-490-7001
www.mills-parts.com

Tuco Industrial Products

5223 180th Street SW
Suite 4A-1
Lynnwood, **WA** 98037-4506
425-743-9533
1-800-735-1268
www.tucoheat.com

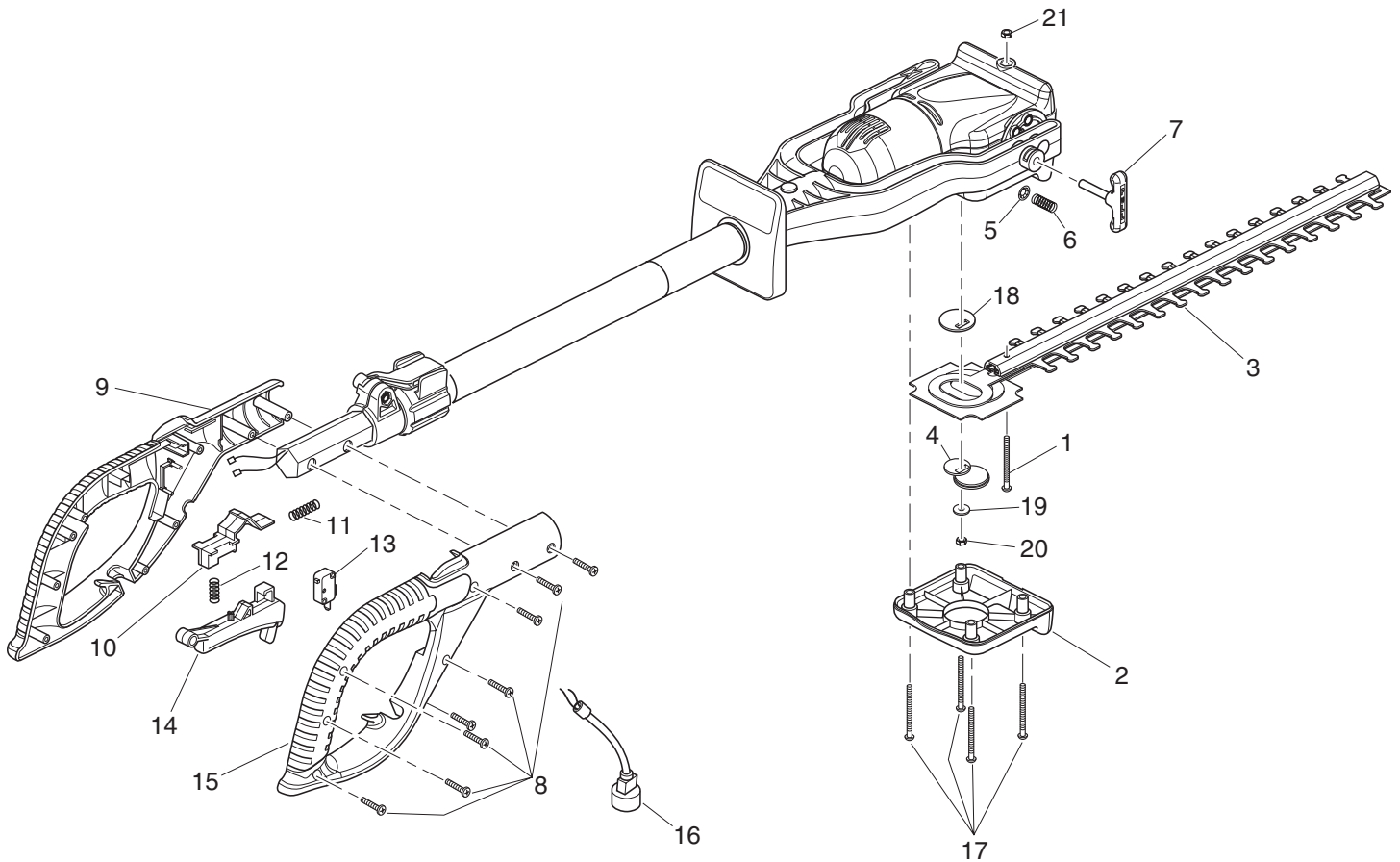
REMINGTON®

ELECTRIC POLE TRIMMER

ILLUSTRATED PARTS BREAKDOWN

POLE TRIMMER
MODEL 110946-01A

Note: This assembly contains double-insulated parts. To maintain double insulation, service should be performed by an Authorized Service Center, except for the parts shown. See *Servicing Pole Trimmer*, page 9.



OWNER'S MANUAL

PARTS LIST

POLE TRIMMER MODEL 110946-01A

This list contains user replaceable parts used in your Pole Trimmer. When ordering parts, be sure to provide the correct model number (from the model plate), then the part number and description of the desired part.

KEY NO.	PART NO.	DESCRIPTION	QTY.
1	110929-01	8-32 x 2" PH, PR Screw	1
2	116228-02	Bottom Cover	1
3	114958-02	Cutter Blade Assembly	1
4	115444-02	Cam	1
5	110925-01	.25" Push Nut	1
6	110933-01	Adjustment Knob Spring	1
7	110924-02	Lock Rod/Knob Assy.	1
8	107708-01	Screw, PPH, B, 8-18 x .88"	8
9	110906-02	Left Trigger Housing	1
10	110908-02	Lock ON/OFF lever	1
11	107694-01	Lock-out Spring	1
12	109357-01	Trigger Spring	1
13	107729-01	Micro Switch	1
14	110907-02	Trigger Lever	1
15	110905-02	Right Trigger Housing	1
16	111249-02	Shrouded Power Cord	1
17	116293-01	8-32 x 2" Truss Screw	4
18	118132-01	Cam Flange	1
19	118152-01	M5 Washer	1
20	118151-01	M5 Locknut	1
21	118258-01	8-32 Locknut	1

ELECTRIC POLE TRIMMER LIMITED WARRANTY

Always specify model and serial numbers when writing the factory.

We reserve the right to amend these specifications at any time without notice. The only warranty applicable is our standard written warranty. We make no other warranty, expressed or implied.

DESA Specialty Products™ warrants this Electric Pole Trimmer and any parts thereof, to be free from defects in material and workmanship for two years (90 days for reconditioned unit) from the date of first purchase from an authorized dealer, provided that the product has been properly maintained and operated in accordance with all applicable instructions. The bill of sale or proof of purchase must be presented at the time a claim is made under this warranty.

This warranty is extended only to the original retail purchaser. This warranty covers only the parts and labor required to restore this Pole Trimmer to its proper operating condition. Warranty parts must be obtained through factory authorized dealers and service centers for this product. These dealers and service centers will provide original factory replacement parts. Failure to use original factory replacement parts voids this warranty.

This warranty does not cover commercial, industrial, or rental usage, nor does it apply to parts that are not in original condition because of normal wear and tear, or parts that fail or become damaged as a result of misuse, accident, lack of proper maintenance, tampering, or alteration. Travel, handling, transportation, and incidental costs associated with warranty repairs are not reimbursable under this warranty and are the responsibility of the owner.

To the full extent allowed by the law of the jurisdiction that governs the sale of the product, this express warranty excludes any and all other expressed warranties and limits the duration of any and all implied warranties, including warranties of merchantability and fitness for a particular purpose to two years from the date of first purchase, and DESA Specialty Products'™ liability is hereby limited to the purchase price of the product and DESA Specialty Products™ shall not be liable for any other damages whatsoever including indirect, incidental, or consequential damages.

Some states do not allow limitation of how long an implied warranty lasts or an exclusion or limitation of incidental or consequential damages, so the above limitation of damages may not apply to you.

This warranty provides the original purchaser with specific rights. For information regarding those rights, please consult the applicable state laws.

Model _____
Date Purchased _____



P.O. Box 90004
Bowling Green, KY 42102-9004
www.desatech.com

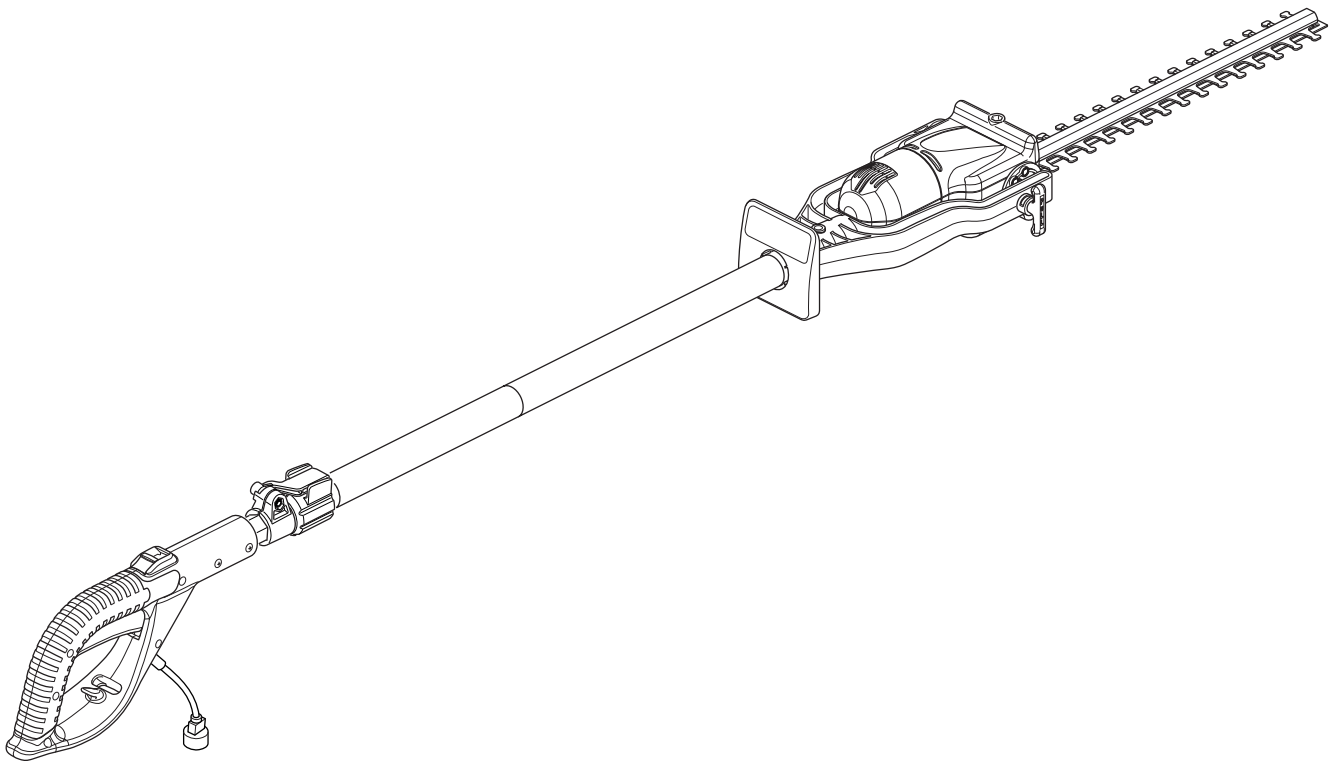
DESA
Industries of Canada, Inc.
2220 Argentia Road
Unit #4
Mississauga, Ontario
L5N 2K7
905-826-8010
FAX 905-826-8236

REMINGTON®

AXCESS TRIMMER™

Podadora Eléctrica De Pértiga

MANUAL DEL PROPIETARIO



MODELO: 110946-01A

Si tiene preguntas o problemas,
LLAME GRATIS al 1-800-858-8501
(sólo en inglés) o visite el sitio [www.
desatech.com](http://www.desatech.com)

IMPORTANTE: Lea y entienda este manual antes de ensamblar u operar esta podadora de pértiga. El uso inadecuado de esta podadora puede ocasionar graves lesiones o la muerte. Guarde este manual para futura referencia.



REMINGTON®

PODADORA ELÉCTRICA DE PÉRTIGA

ADVERTENCIAS DE SEGURIDAD

ADVERTENCIA: Cuando use podadoras eléctricas de pértiga, deben acatarse siempre las precauciones básicas de seguridad para reducir el riesgo de incendio, sacudida eléctrica, y lesión personal.

ADVERTENCIA: Este producto contiene químicos que según el estado de California causa cáncer, defectos congénitos, u otros daños reproductivos.

ANTES DE OPERAR LA PODADORA DE PÉRTIGA

LEA TODAS LAS INSTRUCCIONES ANTES DE OPERAR LA PODADORA DE PÉRTIGA.

- Esté alerta** - Mire lo que hace. Use el sentido común cuando opere la podadora de pértiga.
- Evite ambientes peligrosos** -
 - No opere la podadora de pértiga en la lluvia o en lugares húmedos o mojados.
 - No opere la podadora de pértiga si está bajo la influencia del alcohol, medicinas o drogas.
 - No opere la podadora de pértiga si está cansado.
 - No opere la podadora de pértiga cuando haya presencia de líquidos o gases altamente inflamables.
 - No opere la podadora de pértiga si está sobre una escalera o un árbol.
 - No opere la podadora de pértiga si está dañada o si no está bien y completamente ensamblada.
- Mantenga a los niños lejos** - Mantenga a todos los visitantes a una distancia segura del área de trabajo.
- Use la podadora sólo en el trabajo para el que fue concebida.
- La podadora de pértiga debería ser operada sólo por personas adultas bien preparadas. Nunca permita que los niños la operen.

- Vístase correctamente cuando opere la podadora de pértiga.**
 - No use ropa floja ni joyería que pueda agarrarse en las cuchillas móviles o en las piezas de la podadora de pértiga.
 - Use siempre guantes de goma y calzado robusto cuando trabaje a la intemperie.
 - Use siempre un gorro protector de cabello para cubrir cabellos largos.
 - Use siempre una máscara facial o para el polvo si opera en sitios polvorientos.
- Use siempre un protector visual igual o mejor que lo que exige la norma ANSI Z87.1.
- Use sólo el voltaje eléctrico indicado en la placa del modelo de la podadora de pértiga.

ADVERTENCIA: Para reducir el riesgo de choque eléctrico, úselo sólo con un cordón de extensión destinado para uso a la intemperie, tales como SW-A, SOW-A, STW-A, STOW-A, SJW-A, SJOW-A, SJTW-A, ó SJTOW-A.

- Cordón de extensión** - Asegúrese que su cordón de extensión esté en buenas condiciones. Cuando lo use, asegúrese de usar uno lo suficientemente grueso para que transporte la corriente absorbida por su podadora de pértiga. Un cordón de extensión subdimensionado producirá caída de voltaje en la línea ocasionando pérdida de potencia y sobrecalentamiento.
La tabla a continuación le indica el tamaño correcto del cordón de extensión que debe usarse, dependiendo de la longitud del cordón y de los amperios nominales indicados en la placa de características. Si tiene duda, use el cordón de calibre inmediato superior. A menor número de calibre, más grueso es el cordón. Para reducir, mientras funciona, el riesgo que la podadora de pértiga se desconecte del cordón de extensión, use el gancho del cordón descrito en este manual.

Voltaje	Longitud total del cordón en pies			
120	25	50	100	150
Capacidad en amperios	AWG			
0-6	18	16	16	14

- Ponga protección GFCI (Cortacircuitos de falla a tierra) en el circuito o toma que va usarse con la podadora. Puede usar tomacorriente con protección GFCI incorporada como medida de seguridad.
- No opere la podadora de pértiga cerca de líneas eléctricas de energía, líneas telefónica o con cable. Mantenga la podadora de pértiga al menos a 10 pies lejos de las líneas o cables de energía.

MIENTRAS OPERE LA PODADORA DE PÉRTIGA


- Esté alerta** - Mire lo que está haciendo. Use el sentido común.
- Esté consciente del cordón de extensión mientras opere la podadora de pértiga. Tenga cuidado de no tropezarse en el cordón de extensión. Mantenga siempre el cordón de extensión lejos de las cuchillas cortantes.
- Evite arranques imprevistos** - No lleve la podadora de pértiga enchufada con el dedo en el gatillo. Asegúrese que el interruptor esté en OFF cuando enchufe la podadora.
- No extienda mucho el cuerpo** - Mantenga siempre el equilibrio y la estabilidad en los pies cuando opere la podadora de pértiga.

PELIGRO - RIESGO DE CORTE - Mantenga siempre las manos lejos de las cuchillas. Cuando la podadora de pértiga esté encendida mantenga ambas manos en las áreas del mango. No trate de retirar material cortado ni sostener el material que va a cortar cuando las cuchillas están moviéndose. No agarre de las cuchillas cortantes expuestas ni de los bordes cortantes cuando levante o sostenga la podadora.

MANUAL DEL PROPIETARIO

ADVERTENCIAS DE SEGURIDAD

Continuación

 **PRECAUCIÓN - Las cuchillas continúan moviéndose después de apagado.**

5. **Desconecte la podadora de pértiga** - Desconecte la podadora de pértiga de la fuente de alimentación.
 - Cuando no la use.
 - Antes de darla servicio.
 - Cuando cambie accesorios tales como cuchillas.
 - Cuando limpie material atascado en las cuchillas.
 - Cuando la mueva de un sitio de trabajo a otro.
6. **No fuerce la podadora de pértiga** - Hará el trabajo mejor y con menor posibilidad de lesión a la velocidad para la que fue concebida.
7. **No maltrate el cordón de alimentación** - Nunca lleve la podadora de pértiga sosteniéndola del cordón ni hale el cordón para desconectarla del tomacorriente. Mantenga el cordón de alimentación lejos del calor, aceite y de bordes cortantes.
8. Antes de arrancar la podadora de pértiga, asegúrese que las hojas no topen en nada.

MANTENIMIENTO Y ALMACENAJE DE LA PODADORA DE PÉRTIGA

1. **Mantenga la podadora de pértiga con esmero**
 - Para un desempeño óptimo y para reducir el riesgo de lesión mantenga el borde cortante afilado y limpio.
 - Aplique periódicamente una ligera capa de aceite a las cuchillas cortantes para lubricarlas (es preferible el aceite del motor).
 - Inspeccione periódicamente el cordón de la podadora y, si está dañado, hágalo reparar en una instalación de servicio autorizada.
 - Inspeccione periódicamente los cordones de extensión y reemplácelos si están dañados.
 - Mantenga los mangos secos, limpios y sin aceite ni grasa.
2. **Revise las piezas dañadas**
 - Si una pieza está dañada, revise cuidadosamente esta pieza dañada antes de usar la podadora de pértiga. Asegúrese que la pieza opere correctamente y desempeñe su función específica.
 - Revise la alineación de las piezas móviles, pegado de piezas móviles, rotura de piezas, montaje, y cualquier otra condición que puede afectar su operación.
 - Una protección u otra pieza que esté dañada debería repararse correctamente en un centro de servicio autorizado a no ser que en este manual se indique otro lugar.
3. Cuando dé servicio a la podadora de pértiga use sólo piezas de repuesto idénticas.

4. Para reducir el riesgo de sacudida eléctrica, la podadora de pértiga tiene un enchufe polarizado (una cuchilla es más ancha que la otra) y deberá usarse un cordón de extensión polarizado. El enchufe de la podadora de pértiga se adapta a una extensión sólo de una manera. Si el enchufe no se adapta completamente en el cordón de extensión, invierta el enchufe. Si aún así no se adapta, consiga el cordón de extensión correcto. Un cordón de extensión polarizado requiere el uso de un tomacorriente de pared polarizado. Este enchufe se adapta a un tomacorriente polarizado sólo de una manera. Si el enchufe no se adapta completamente en el tomacorriente de pared, invierta el enchufe. Si el enchufe aún no se adapta llame a un electricista calificado para que instale el tomacorriente de pared correcto. No haga ningún cambio de enchufe de la podadora, ni de la toma del cordón de extensión, ni del enchufe del cordón de extensión.
5. **Guarde bajo techo la podadora de pértiga inactiva** - Cuando no la use, la podadora de pértiga se la debe guardar en un lugar seco. Guarde la podadora de pértiga por encima del alcance de los niños o en un lugar bajo llave fuera del alcance de los niños.

Este manual es su guía para una operación segura y correcta de la podadora de pértiga.

GUARDE ESTAS INSTRUCCIONES

DESEMPAQUE

1. Retire la podadora de pértiga y todos los otros elementos de la caja. La podadora de pértiga viene completamente ensamblada y lista para usar.
2. Revise en todos los elementos algún daño en el transporte. Si encuentra algún daño o si faltan piezas, informe enseguida al distribuidor donde compró la podadora de pértiga o llame al 1-800-858-8501 (sólo en inglés).

PODADORA ELÉCTRICA DE PÉRTIGA

IDENTIFICACIÓN DEL PRODUCTO

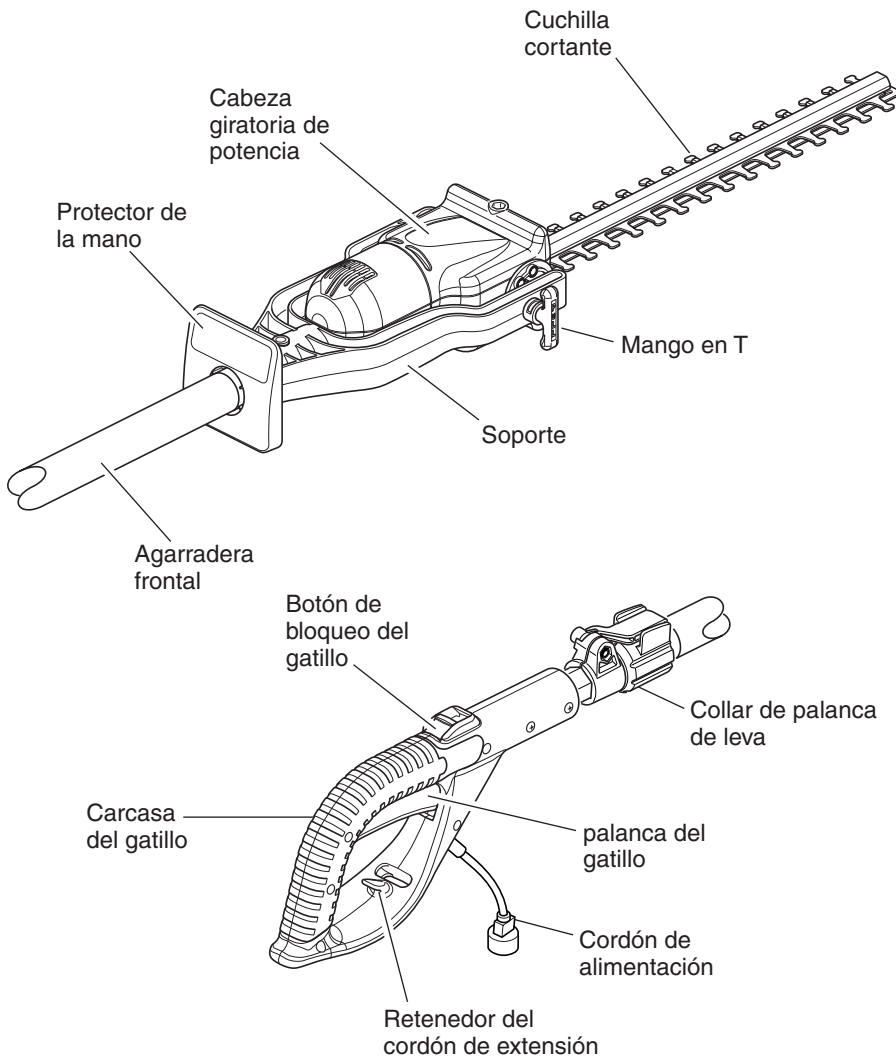


Figura 1 - Identificación del producto: Podadora de pértiga Remington

OPERACIÓN DE LA PODADORA

⚠ ADVERTENCIA: Antes de operar la podadora de pértiga lea y entienda este manual. Asegúrese de haber leído y entendido todas las *Advertencias de seguridad* de las páginas 16 y 17 de este manual. El uso indebido de esta podadora de pértiga puede ocasionar graves lesiones o la muerte por incendio, sacudida eléctrica o contacto del cuerpo con partes móviles.

GIRO DE LA CABEZA DE POTENCIA

La podadora de pértiga viene equipada con una cabeza de potencia que gira. La cabeza de potencia puede girar 180 grados. La cabeza de potencia tiene un mango en T con carga de resorte lo que le permite bloquearse en diferentes posiciones dentro de su rotación de 180 grados.

Antes de conectar la podadora de pértiga a la fuente de alimentación, asegúrese que la cabeza de potencia esté bloqueada en su posición. Haga esto tratando de girar la cabeza de potencia en cualquier dirección. La cabeza de potencia debería estar bloqueada en esa posición y no girar.

Para girar la cabeza de potencia siga las instrucciones que vienen a continuación:

1. Hale hacia fuera el mango en T ubicado lateralmente en el soporte giratorio. El mango en T tiene resorte de carga, de modo que sentirá alguna resistencia cuando lo empuje hacia fuera.

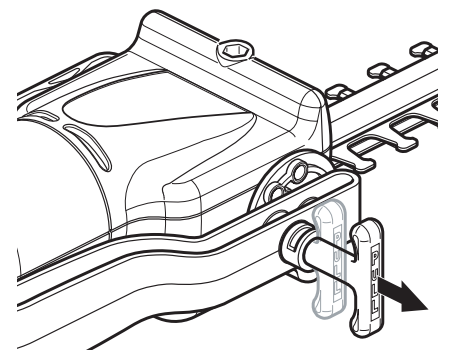


Figura 2 - Hale hacia fuera el mango en T para girar la cabeza de potencia

MANUAL DEL PROPIETARIO

OPERACIÓN DE LA PODADORA Continuación

2. Agarre la carcasa del motor de la cabeza de potencia y gire la cabeza de potencia a la posición de 0, 45 o 90 grados.

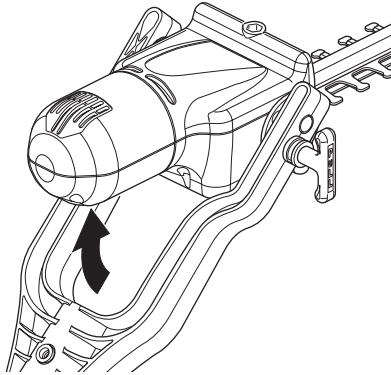


Figura 3 - Cabeza giratoria de potencia

3. Suelte el mango en T. Debería regresar y asentarse a presión en su posición. Si no lo hace, gire de nuevo con suavidad la cabeza de potencia hacia atrás y adelante hasta que el mango en T regrese y se asiente a presión en su posición. La cabeza de potencia está ahora bloqueada en posición y lista para usarse.

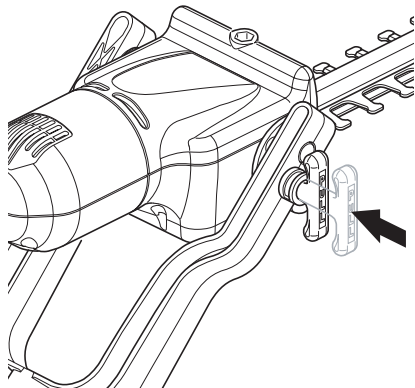


Figura 4 - Bloqueo de la cabeza de potencia en posición

CORDONES DE EXTENSIÓN

Use siempre los cordones de extensión apropiados para esta podadora. Use solamente cordones de extensión marcados para uso a la intemperie. El cordón debe estar marcado con el sufijo W o W-A seguido de la designación del tipo de cordón. Ejemplo: SJTW-A ó SJTW.

Use el tamaño de cordón apropiado para esta podadora de pértiga. El cordón debe ser lo suficientemente grueso para que transporte la corriente necesaria. Un cordón subdimensionado ocasionará caída de voltaje en la podadora de pértiga. La podadora perderá potencia y se sobrecalentará. Siga los requisitos listados más abajo referentes al tamaño del cordón.

Longitud del cordón	Calibre AWG del cordón
25 pies	18 AWG
50 pies	16 AWG
100 pies	16 AWG
150 pies	14 AWG

Mantenga el cordón lejos del área cortante. Asegúrese que el cordón no se agarre en las ramas durante el corte. Inspeccione a menudo el cordón. Reemplace los cordones dañados.

CONEXIÓN DEL CORDÓN DE EXTENSIÓN

La podadora de pértiga tiene incorporado un retén para el cordón de extensión para evitar que la unidad se desconecte accidentalmente del cordón de extensión durante el uso. Viene moldeado en la protección inferior de la mano de la carcasa del gatillo.

1. Asegúrese que la palanca del gatillo esté en la posición OFF (Apagado) (vea Arranque de la podadora de pértiga, página 20).
2. Enchufe el cordón de alimentación en el cordón de extensión.

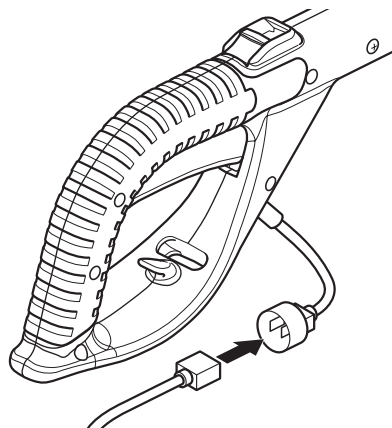


Figura 5 - enchufado del cordón de alimentación de la podadora de pértiga al cordón de extensión

3. Haga un lazo en el cordón de extensión e inserte el lazo por la parte inferior del mango. Hale el lazo hasta que apriete alrededor del gancho moldeado para el cordón (vea las Figuras 6 y 7).

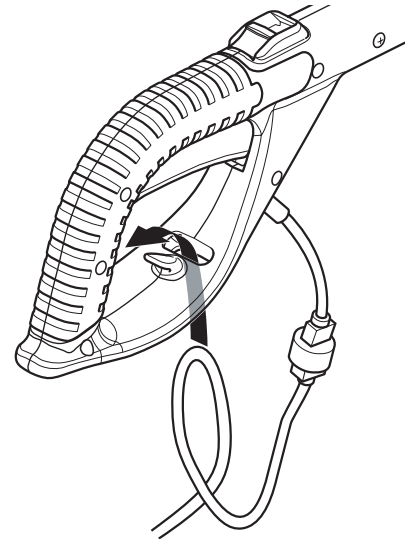


Figura 6 - Colocación del lazo del cordón de extensión por la parte inferior del mango

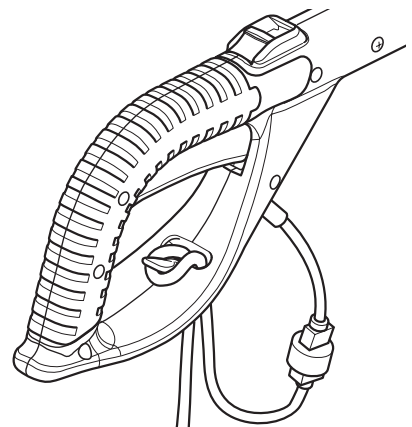


Figura 7 - El lazo del cordón de extensión se aprieta alrededor del gancho moldeado para el cordón

Continúa

PODADORA ELÉCTRICA DE PÉRTIGA

OPERACIÓN DE LA PODADORA *Continuación*

Nota: un método opcional para retener el cordón de extensión se muestra en la Figura 8 que se usa con cordones de gran calibre que pueden no adaptarse al retenedor del cordón de extensión.

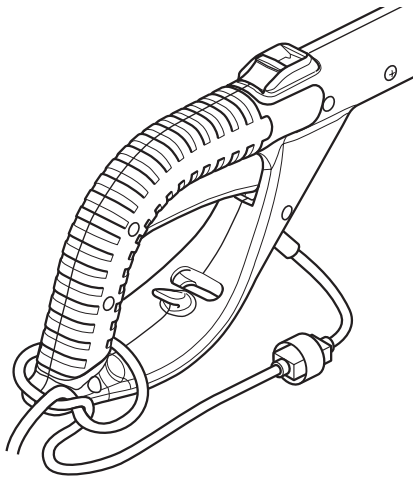


Figura 8 - Método opcional para retener el cordón de extensión

ARRANQUE DE LA PODADORA DE PÉRTIGA

La podadora de pèrtiga tiene un botón de bloqueo del gatillo ubicado en la parte superior del mango. Esta característica de seguridad bloquea el gatillo en la posición OFF, evitando que la podadora de pèrtiga arranque accidentalmente.

El botón de bloqueo del gatillo tiene 3 posiciones.

Posición 1 Bloquea el gatillo.

Posición 2 Permite que usted apriete el gatillo y opere la podadora de pèrtiga. El botón de bloqueo del gatillo regresará por resorte a la posición 1 cuando suelte el gatillo.

Posición 3 Permite bloquear el gatillo en la posición ON (prendido). Esto es útil durante un podado continuo por largos períodos de tiempo.

Desbloqueo del gatillo para arrancar la podadora de pèrtiga

1. Con su pulgar, empuje el botón de bloqueo del gatillo hacia delante a la posición 2. Apriete la palanca del gatillo a la posición ON. La podadora de pèrtiga empieza a funcionar.

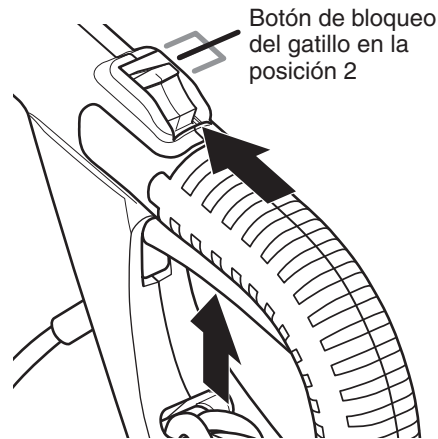


Figura 9 - Operación manual del gatillo con el botón de bloqueo del gatillo en la posición 2

2. Suelte el botón de bloqueo del gatillo mientras la podadora de pèrtiga está funcionando. El botón de bloqueo vuelve a la posición 1 cada vez que suelta el gatillo a la posición OFF.

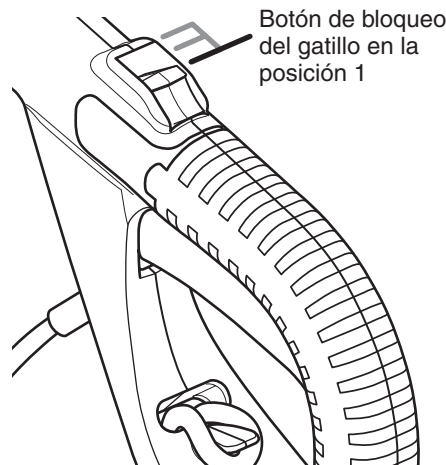


Figura 10 - Gatillo en la posición OFF con el botón de bloqueo del gatillo en la posición 1

Bloqueo de la podadora de pèrtiga en ON (encendido)

1. Empuje el botón de bloqueo del gatillo hacia delante a la posición 2 y apriete la palanca del gatillo a la posición ON. La podadora de pèrtiga empezará a funcionar.
2. Mientras la podadora está funcionando, empuje de nuevo el botón de bloqueo del gatillo a la posición 3. Sostenga el botón ahí mientras suelta la palanca del gatillo, luego suelte el botón de bloqueo. Con esto se bloquea la palanca del gatillo en la posición ON y la podadora de pèrtiga continuará funcionando.
3. Para apagar la podadora, apriete y suelte la palanca del gatillo. El botón de bloqueo del gatillo se volverá a la posición 1 bloqueando el gatillo en la posición OFF.

Nota: Si durante el uso la podadora de pèrtiga está bloqueada en ON y la podadora se desconecta de la fuente de alimentación. Desenganche la característica de bloqueo en ON antes de volver a conectar la energía de alimentación.

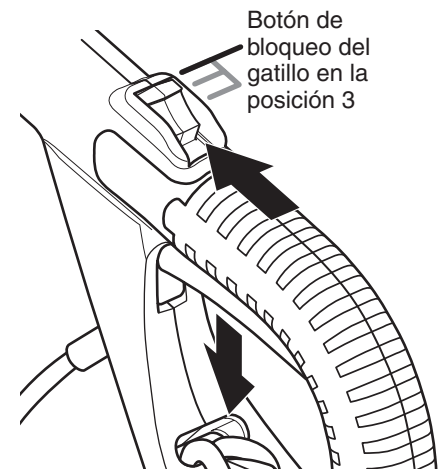


Figura 11 - Bloqueo del gatillo en la posición ON con el botón de bloqueo del gatillo en la posición 3

MANUAL DEL PROPIETARIO

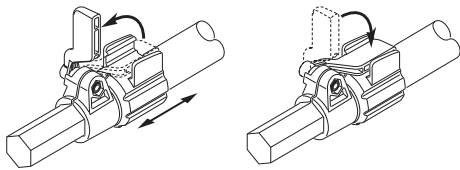
OPERACIÓN DE LA PODADORA

Continuación

REGULACIÓN DE LA LONGITUD DE LA PÉRTIGA

La podadora de pértiga Remington® tiene un conjunto telescópico con un margen de extensión de 10 pulgadas. Un cono accionado por levas se usa para mantener a la pértiga en posición en cualquier punto de su longitud.

1. Para extender la pértiga, desbloquee la palanca de sujeción como se indica en la Figura 12. La pértiga se deslizará libremente.
2. Hale hacia fuera la sección de la pértiga interna hasta la longitud deseada de extensión.
3. Para bloquear la pértiga apriete la palanca de sujeción como se muestra en la Figura 12.



DESBLOQUEADO BLOQUEADO
Figura 12 - Extendiendo la Pértiga Telescópica

USO DE LA PODADORA DE PÉRTIGA

Esta podadora es una herramienta de doble función. Está diseñada para podar y dar forma a setos y arbustos altos y difíciles de alcanzar usando la extensión y la cabeza de potencia giratoria. Usted puede también regular la podadora de pértiga para podar y dar forma a setos y arbustos pequeños cerca del suelo sin tener que inclinarse o doblarse.

POSICIONES DE OPERACIÓN

Para usar la podadora de pértiga para podar setos y arbustos altos difíciles de alcanzar, sostenga la podadora en las posiciones mostradas en la Figura 13. Gire la cabeza de potencia a las diferentes posiciones para poder esculpir los arbustos o setos.



Figura 13 - Podado de setos o arbustos altos

Si usa la podadora de pértiga para podar pequeños setos o arbustos sostenga la podadora en las posiciones mostradas en la Figura 14.

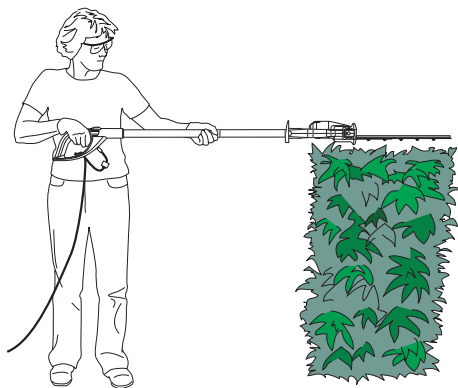


Figura 14 - Podado de pequeños setos o arbustos

Si usa la podadora de pértiga para podar la parte inferior y lateral de setos y arbustos, sostenga la podadora en la posición mostrada en la Figura 15.



Figura 15 - Podado de la parte inferior y lateral de setos y arbustos

Si usa la podadora de pértiga para podar follaje bajo o vegetación del suelo, sostenga la podadora en la posición mostrada en la Figura 16.



Figura 16 - Podado de follaje bajo o vegetación del suelo

Continúa

OPERACIÓN DE LA PODADORA

Continuación

PODADO DE UN SETO

Use correctamente la podadora de pértiga. Use siempre protección visual, guantes de goma y calzado robusto cuando use la podadora de pértiga. Mantenga siempre el equilibrio y la estabilidad en los pies y nunca se extienda demasiado cuando use la podadora. Antes de arrancar la podadora de pértiga, sostenga la unidad con ambas manos de las áreas de agarre. Asegúrese que la cuchilla cortante no toque en nada.

Mantenga siempre el cordón de extensión detrás de la podadora de pértiga cuando la use. No ponga el cordón sobre el seto donde podría cortarse con la cuchilla.

Utilice movimientos firmes de barrido para podar nuevos crecimientos. No trate de cortar demasiado a la vez. Esto hace que la podadora disminuya la velocidad o se atasque, reduciendo la eficiencia de corte.

No fuerce la podadora de pértiga en vegetación densa. Un movimiento ligero de corte hacia atrás y adelante puede ayudar el corte de vegetación densa y grande. Si la podadora de pértiga empieza a bajar la velocidad, reduzca la velocidad a la cual está tratando de cortar.

Si la podadora de pértiga se atasca apáguela inmediatamente. Desconecte la podadora de la fuente de alimentación y retire de las cuchillas cortantes los residuos atascados.

No trate de cortar ramas de más de 3/4 pulgadas de diámetro.

Para mejores resultados, ponde los lados de los setos con un movimiento de barrido hacia arriba. Ponde los setos de modo que la parte superior sea ligeramente mas angosta que la inferior. Para podar setos muy a nivel, use como guía una cuerda estirada a lo largo de la longitud del seto (vea la Figura 17).

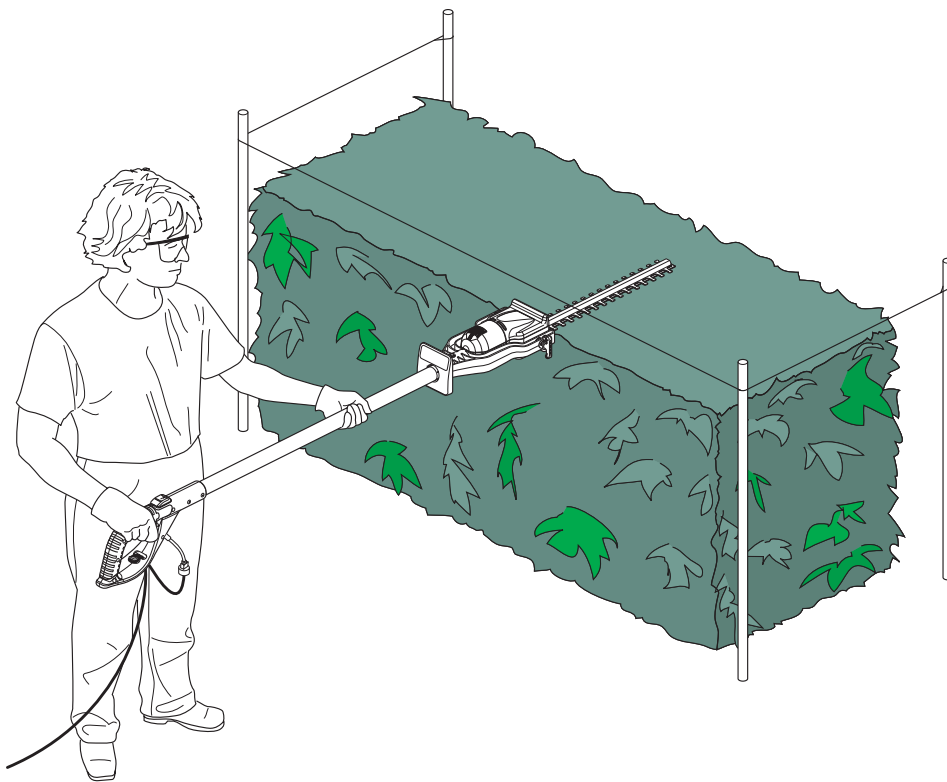


Figura 17 - Podado de un seto

MANUAL DEL PROPIETARIO

LIMPIEZA Y MANTENIMIENTO

⚠ ADVERTENCIA: Desconecte la podadora de p rtiga de la fuente de alimentaci n antes de limpiarla o darla servicio. Pueden ocurrir lesiones graves o la muerte por incendio, sacudida el ctrica o por contacto del cuerpo con las cuchillas de corte m viles.

⚠ ADVERTENCIA: Cuando limpie la podadora de p rtiga:

- No sumerja la podadora de p rtiga en ning n l quido.
- No use productos que contengan amon aco, cloro o abrasivos.
- No use solventes de limpieza con cloro, tetracloruro de carbono, queroseno o gasolina.

Use un pa o suave humedecido con una mezcla de agua y jab n suave para limpiar frotando la podadora de p rtiga, la carcasa y las cuchillas cortantes. No roc e ni vierta directamente agua en la podadora de p rtiga.

Una vez que la podadora de p rtiga est  limpia, aplique una ligera capa de aceite a las cuchillas cortantes para evitar la oxidaci n y para lubricarlas (es preferible el aceite del motor).

AN LISIS DE AVER AS

Nota: Para obtener ayuda adicional visite nuestro sitio Web de servicio t cnico en www.desatech.com.

⚠ ADVERTENCIA: antes de dar servicio a la podadora de p rtiga descon ctela de la fuente de alimentaci n. Pueden ocurrir graves lesiones o la muerte por incendio, sacudida el ctrica o contacto del cuerpo con partes m viles.

FALLA OBSERVADA	CAUSA PROBABLE	REMEDIO
El motor no funciona cuando se aprieta la palanca del gatillo	<ol style="list-style-type: none">1. No se ha presionado el bot�n de bloqueo del gatillo para soltar la palanca del gatillo2. La conexi�n del cord�n de extensi�n est� floja3. El disyuntor casero est� disparado o los fusibles de l�nea est�n abiertos4. Escobillas del motor en mal estado5. Abierto el cableado en la podadora de p�rtiga	<ol style="list-style-type: none">1. Empuje el bot�n de bloqueo hacia delante y apriete la palanca del gatillo (vea <i>Arranque de la podadora de p�rtiga</i>, p�gina 20)2. Revise las conexiones del cord�n3. Revise el disyuntor o los fusibles de l�nea4. Llame al Servicio t�cnico5. Llame al Servicio t�cnico
El motor funciona pero las cuchillas cortantes no giran	Podadora de p�rtiga da�ada. No use la podadora de p�rtiga	Llame al Servicio t�cnico
La podadora de p�rtiga humea al funcionar	Podadora de p�rtiga da�ada. No use la podadora de p�rtiga	Llame al Servicio t�cnico

SERVICIO A LA PODADORA DE PÉRTIGA

La podadora de pértiga es una herramienta de doble aislamiento y contiene partes que sólo pueden cambiarse con repuestos originales y en un centro de servicio autorizado. Visite nuestro sitio Web de servicio técnico en www.desatech.com o póngase en contacto con nuestro Departamento de servicio técnico al 1-800-858-8501 (sólo Inglés) para averiguar un centro de servicio autorizado más cercano.

Las partes listadas en las páginas 26 y 27 pueden ser cambiadas por el usuario. Vea en *Accesorios y piezas de repuesto* de la página 25 la información para solicitar estas partes.

REEMPLAZO DE LA CUCHILLA

⚠ ADVERTENCIA: Para evitar lesiones personales graves, use guantes cuando retire o instale las cuchillas cortantes. No coloque los dedos ni las manos entre las cuchillas donde podrían cortarse.

1. Desconecte la podadora de pértiga de la fuente de alimentación.
2. Coloque la podadora de pértiga al revés sobre una mesa de trabajo y retire los cuatro (4) tornillos de la tapa inferior. Retire la tapa inferior (vea la Figura 18).

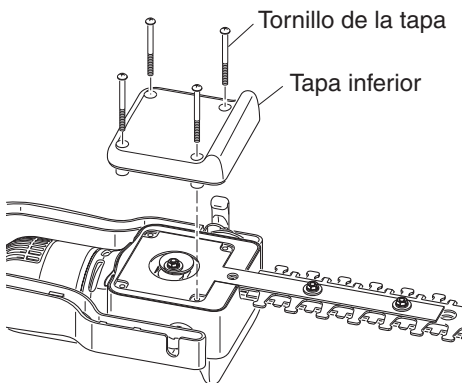


Figura 18 - Retiro de la tapa inferior de la cabeza de la podadora

3. Retire la contratuerca M5 y arandela de la leva (Vea la Figura 19)
4. Alinee la leva con el conjunto cuchilla de corte. Retire la leva (vea la Figura 19).

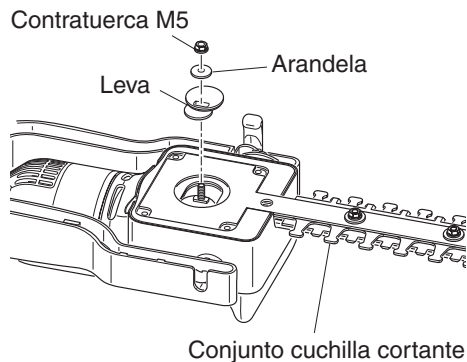


Figura 19 - Retiro de la leva

5. Retire el tornillo que sostiene al conjunto cuchilla de corte (vea la Figura 20). **IMPORTANTE:** Esté seguro de no perder la contratuerca 8-32 que asegura a este tornillo.

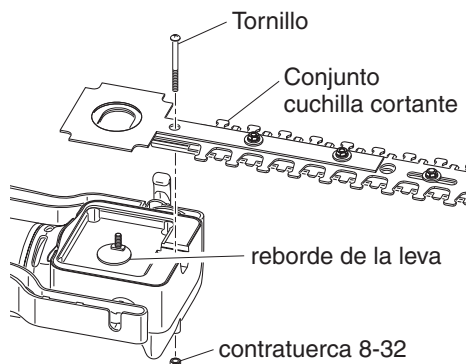


Figura 20 - Retiro del conjunto cuchilla cortante

6. Retire y deseche el conjunto cuchilla de corte.
7. Sujete el nuevo conjunto cuchilla de corte en el cabezal de potencia con el tornillo y la contratuerca retirados en el paso 5.
8. Alinee el conjunto cuchilla de corte de modo que la leva encaje correctamente en los lóbulos ovalados de este conjunto (vea la Figura 19). **IMPORTANTE:** El reborde de diámetro mayor de la leva debe estar hacia arriba como alejándose del cabezal de potencia. El reborde de diámetro menor de la leva debe alinear y asentar directamente en la parte superior del otro reborde de la leva.
9. Vuelva a colocar la arandela y la contratuerca que se retiraron en el paso 3. Apriétela bien.
10. Vuelva a colocar la tapa inferior y asegúrela con sus 4 tornillos que se retiraron en el paso 2 (vea la Figura 18). Apriete bien los tornillos.

⚠ ADVERTENCIA: Todos los componentes deben estar instalados y bien sujetos antes de enchufar la podadora de pértiga a la fuente de alimentación. Si no lo hace así, puede ocasionar daño al producto o una grave lesión personal.

Nota: Si luego del reensamble se presenta un atascamiento, repita todos los pasos anteriores asegurándose que la leva alinee correctamente con el conjunto cuchilla cortante.

MANUAL DEL PROPIETARIO

ACCESORIOS Y PIEZAS DE REPUESTO

Para accesorios y piezas de repuesto originales llame al Distribuidor Autorizado o al Centro Autorizado de Servicio para este producto. Si ellos no tienen la pieza o accesorio, llame a la Central de Piezas más cercana a usted que se lista en la página 28. Cada Distribuidor Autorizado, Centro Autorizado de Servicio y Central de Piezas es y opera independientemente.

Vea las páginas 26 y 27 para una lista ilustrada de piezas.

Si necesita referencia adicional informativa, llame a nuestro departamento de servicio técnico (vea *Servicio Técnico*).

En el Canadá llame al 1-800-561-3372 para obtener información sobre las piezas.

SERVICIO TÉCNICO

Usted puede tener más preguntas sobre cómo ensamblar, utilizar o mantener este producto. Si es así, usted puede visitar nuestro sitio Web de servicio técnico en www.desatech.com o llamar al departamento de servicio técnico al 1-800-858-8501 (sólo en inglés). Usted puede también escribir a:

DESA Specialty Products™
ATTN: Technical Service Specialty Products

P.O. Box 90004
Bowling Green, KY 42102-9004

Cuando llame a DESA Specialty Products™ tenga listo:

- Su nombre
- Su dirección
- Su número de teléfono
- El número de modelo del producto
- Fecha de compra (incluya un copia del recibo para solicitudes por escrito).

SERVICIO DE REPARACIÓN

Nota: Use sólo piezas de repuesto originales. Esto protegerá la cobertura de su garantía de las piezas repuestas bajo garantía.

Cada Centro Autorizado de Servicio es y opera independientemente.

Para información adicional sobre centros de servicio o de garantía, llame al -800-858-8501 (sólo en inglés) o visite nuestro sitio Web de servicio técnico en www.desatech.com.

SERVICIO CON GARANTÍA

Si el producto necesita servicio bajo garantía, envíelo al centro de servicio autorizado más cercano a usted. Usted debe mostrar prueba de compra. Si el daño fue causado por materiales imperfectos o por mano de obra, repararemos o cambiaremos el producto sin cobrarle a usted. *Nota:* Esta garantía no cubre desgaste, mal uso, abuso, negligencia o daño accidental.

SERVICIO SIN GARANTÍA

Si el producto necesita servicio, envíelo al centro de servicio autorizado más cercano a usted. Se le enviarán las facturas por reparación a los precios normales de reparación.

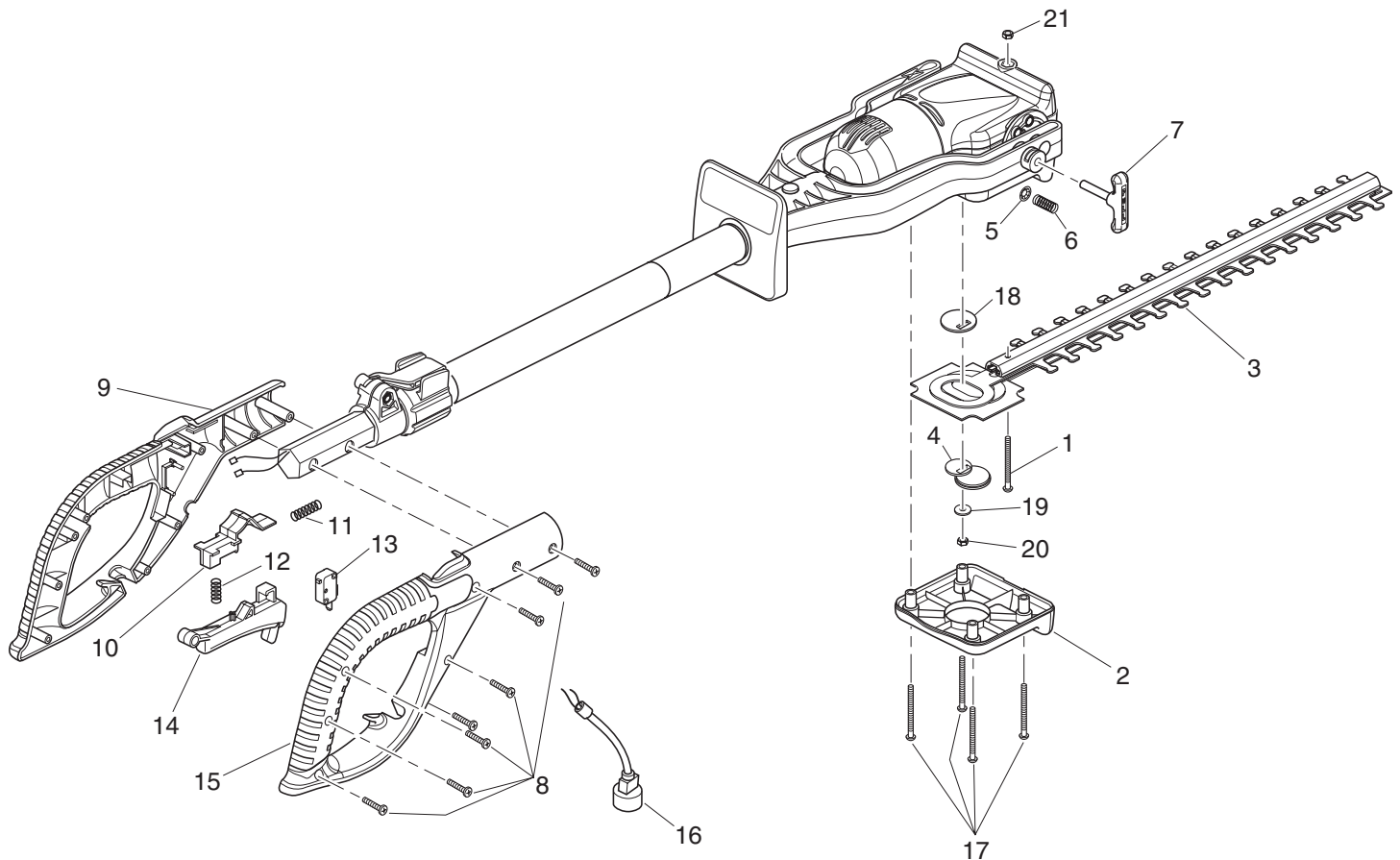
REMINGTON®

PODADORA ELÉCTRICA DE PÉRTIGA

DESARME ILUSTRADO DE LAS PIEZAS

PODADORA DE PÉRTIGA
MODELO 110946-01A

Nota: Este conjunto contiene partes con doble aislamiento. Para mantener el doble aislamiento, el servicio debe realizarse en centro de servicio autorizado, excepto para las partes mostradas. Vea *Servicio a la podadora de pértiga*, página 24.



MANUAL DEL PROPIETARIO

LISTA DE PIEZAS

PODADORA ELÉCTRICA DE PIEZAS

MODELO 110946-01A

Esta lista contiene las partes usadas en su podadora de pértiga y que el usuario puede cambiarlas. Cuando solicite piezas, asegúrese de facilitar el número correcto del modelo (de la placa de modelo), luego el número de parte y la descripción de la parte deseada.

Nº clave	Nº de parte	DESCRIPCIÓN	CANT
1	110929-01	Tornillo, PR, PH, 8-32 x 2 pulg.	1
2	116228-02	Tapa inferior	1
3	114958-02	Conjunto cuchilla cortadora	1
4	115444-02	Leva	1
5	110925-01	Tuerca de empuje de 0,25 pulg.	1
6	110933-01	Resorte de la perilla del ajuste	1
7	110924-02	Conjunto varilla de bloqueo/perilla	1
8	107708-01	Tornillo, PPH, B, 8-18 x 0,88 pulg.	8
9	110906-02	Carcasa izquierda del gatillo	1
10	110908-02	Palanca de bloqueo ON/OFF	1
11	107694-01	Resorte del cierre	1
12	109357-01	Resorte del gatillo	1
13	107729-01	Micro interruptor	1
14	110907-02	Palanca del gatillo	1
15	110905-02	Carcasa derecha del gatillo	1
16	111249-02	Cordón de alimentación envainado	1
17	116293-01	Tornillo cabeza reforzada 8-32 x 2 pulg.	4
18	118132-01	Reborde de la leva	1
19	118152-01	Arandela M5	1
20	118151-01	Contratuerca M5	1
21	118258-01	Contratuerca 8-32	1

REMINGTON®

PODADORA ELÉCTRICA DE PÉRTIGA

CENTRAL DE PIEZAS

Ray's Portable Heater Service

3191 Myers Road
Camino, **CA** 95709-9550
530-644-7716

Tool & Equipment Service Solutions, LLC

5 Manila Drive
Hamden, **CT** 06514-0322
203-248-7553
1-800-397-7553

Grainger Parts Operation

1657 Shermer Road
Northbrook, **IL** 60062-5362
708-498-5900
1-800-323-0620
www.grainger.com

Portable Heater Parts

342 North County Road 400 East
Valparaiso, **IN** 46383-9704
219-462-7441
1-800-362-6951
www.portableheaterparts.com
sales@portableheaterparts.com
techservice@portableheaterparts.com

FBD

1349 Adams Street
Bowling Green, **KY** 42103-3414
270-846-1199
1-800-654-8534
franktalk@aol.com

Lyons & Lyons Sales Co. Inc.

Glen Arm Road
Glen Arm, **MD** 21057-9454
410-665-6500
1-800-333-5966
lyonsco@erols.com

Master Part Distributors

1251 Mound Avenue NW
Grand Rapids, **MI** 49504-2672
616-791-0505
1-800-446-1446
www.masterparts.net

Hance Distributors, Inc.

12795 16th Avenue North
Plymouth, **MN** 55441-4556
763-559-2299
www.hanceco.com

Automotive Equipment Service

1651 E. Kansas City Road
Olathe, **MO** 66061
816-531-9144
1-800-843-3546
www.aes-lawnparts.com

Bowden Electric Motor Service

1681 S. Wesleyan Blvd.
Rocky Mount, **NC** 27803
252-446-4203

East Coast Energy

10 East Route 36
West Long Branch, **NJ** 07764-1501
1-800-755-8809

Forrest Lytle and Sons, Inc.

740 West Galbraith Road
Cincinnati, **OH** 45231-6002
513-521-1464

Bortz Chain Saw Shop

Road #2, Box 64A
Oley, **PA** 19547-9412
610-987-6452

21st Century

2950 Fretz Valley Road
Perkasie, **PA** 18944-4034
215-795-0400
1-800-325-4828

La Ports

2444 N 5th Street
Hartsville, **SC** 29550-7704
843-332-0191

MTA Distributors

555 Hickory Hills Blvd.
Nashville, **TN** 37189-9244
615-299-8777
1-800-264-0225

Webbs Appliance Center

1519 Church Street
Nashville, **TN** 37203-3004
615-329-4079
1-800-899-4079

Industrial Hardware

4109 Bainbridge Blvd.
Chesapeake, **VA** 23324-1403
804-543-2232
1-800-788-0008
catatem@erols.com

Mills Lawn and Garden

928 Commonwealth Place
Virginia Beach, **VA** 23464
757-361-9293
www.mills-parts.com

Tuco Industrial Products

5223 180th Street SW
Suite 4A-1
Lynnwood, **WA** 98037-4506
425-743-9533
1-800-735-1268
www.tucoheat.com

GARANTÍA LIMITADA DE LA PODADORA ELÉCTRICA DE PÉRTIGA

Cuando escriba a la fábrica especifique siempre los números de modelo y serie.

Nos reservamos el derecho de modificar en cualquier momento y sin previo aviso estas especificaciones. La única garantía aplicable es nuestra garantía estándar escrita. No hacemos otra garantía expresada o explícita.

DESA Specialty Products™ garantiza por el lapso de dos años (90 días para unidades reacondicionadas), a partir de la fecha de la primera compra hecha donde un distribuidor autorizado, que esta podadora eléctrica de pértiga y cualquier parte de la misma están libres de defectos en materiales y mano de obra, con tal que el producto haya recibido un mantenimiento y operación apropiados que estén de acuerdo con todas las instrucciones pertinentes. La factura de venta o prueba de compra debe ser presentada al momento de hacer un reclamo bajo esta garantía.

Esta garantía se extiende solamente al comprador al por menor original y cubre solamente las piezas y mano de obra requeridas para restaurar esta podadora eléctrica de pértiga a su condición correcta de operación. Las piezas garantizadas pueden obtenerse a través de distribuidores o centros de servicio de este producto autorizados por la fábrica. Estos distribuidores y centros de servicio le proveerán de repuestos originales de fábrica. Si no usa repuestos originales de fábrica esta garantía queda inválida.

Esta garantía no cubre uso comercial, industrial o de alquiler ni se aplica a las piezas que debido al uso y desgaste normal no están en condiciones originales, ni se aplica a piezas que fallan o se dañan como resultado del mal uso, accidente, falta de mantenimiento apropiado, intromisión o alteración. Los costos de viaje, manipulación, transporte o costos incidentales asociados con reparaciones por la garantía no son reembolsables bajo esta garantía y son responsabilidad del propietario.

Por todo lo que la ley de la jurisdicción que rige la venta del producto permite, esta garantía expresa excluye cualquier o todas las otras garantías expresas y limita a dos años, desde la fecha de la primera compra, la duración de cualquiera o todas las garantías implícitas, incluyendo garantías de comercialización y adaptación a un propósito en particular, y la responsabilidad de DESA Specialty Products™ está por esto limitada al precio de compra del producto y DESA Specialty Products™ no será responsable en absoluto de ningún otro daño incluyendo daños indirectos, incidentales o consecuentes.

Algunos estados no permiten limitación en cuanto a la duración de una garantía implícita ni permiten exclusión o limitación de daños incidentales o consecuentes, de modo que la limitación de daños arriba indicada pueda que no se aplique a usted.

Esta garantía da al comprador original derechos específicos. Para informarse sobre esos derechos por favor consulte las leyes estatales pertinentes.

Modelo _____

Fecha de compra _____



P.O. Box 90004
Bowling Green, KY 42102-9004
www.desatech.com

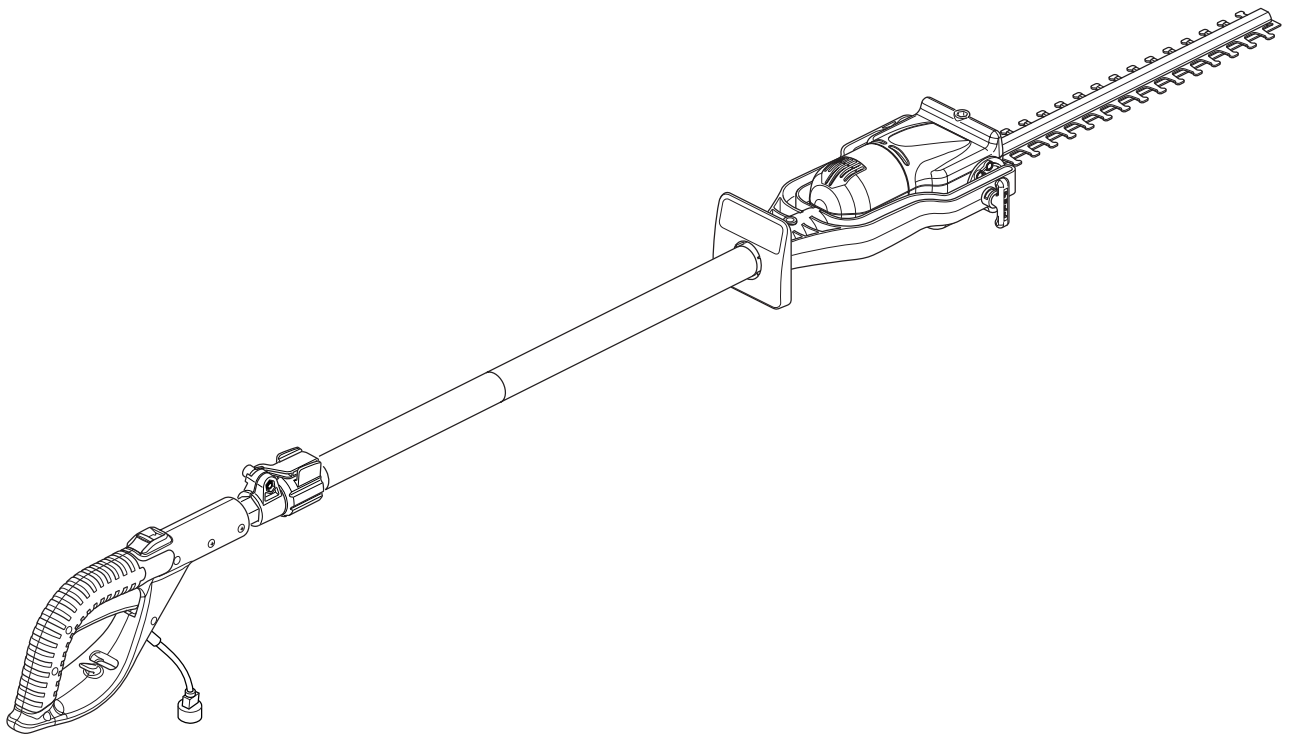
DESA
Industries of Canada, Inc.
2220 Argentia Road
Unit #4
Mississauga, Ontario
L5N 2K7
905-826-8010
FAX 905-826-8236

REMINGTON®

AXCESS TRIMMER™

Taille-Haie Électrique À Perche

GUIDE DU PROPRIÉTAIRE



MODÈLE 117535-01A

Pour toute question ou problème,
FAITES SANS FRAIS LE
1 800 858-8501 (en anglais
seulement) ou visitez notre site Web à
l'adresse www.desatech.com

IMPORTANT : Vous devez lire et comprendre ce guide avant d'assembler ou d'utiliser ce taille-haie à perche. Toute utilisation non appropriée du taille-haie peut entraîner de graves blessures, voire le décès. Conservez ce guide pour référence.



GUIDE DU PROPRIÉTAIRE

CONSIGNES DE SÉCURITÉ

⚠ AVERTISSEMENT : Lors de l'utilisation du taille-haie électrique à perche, vous devez prendre des mesures de sécurité de base afin de réduire les risques d'incendie, de choc électrique et de blessures personnelles.

⚠ AVERTISSEMENT : Cet appareil contient des produits chimiques qui, selon l'État de la Californie, sont à l'origine du cancer, d'anomalies congénitales ou représentent d'autres dangers en matière de reproduction.

AVANT D'UTILISER LE TAILLE-HAIE À PERCHE

LISEZ TOUTES LES DIRECTIVES AVANT D'UTILISER LE TAILLE-HAIE À PERCHE.

1. **Soyez vigilant** – Prenez garde à ce que vous faites. Faites preuve de bon sens lors de l'utilisation du taille-haie à perche.
2. **Évitez les endroits dangereux**
N'utilisez pas le taille-haie à perche :
 - Sous la pluie, dans les endroits humides ou mouillés.
 - Si vous avez pris de l'alcool, des médicaments ou des drogues.
 - Lorsque vous êtes épuisé.
 - En présence de liquides ou de gaz très inflammables.
 - Lorsque vous êtes monté dans un arbre ou dans une échelle.
 - S'il est endommagé ou s'il n'est pas complètement assemblé.
3. **Conservez hors de la portée des enfants** – Assurez-vous que personne ne s'approche de la zone de travail.
4. Utilisez seulement le taille-haie à perche à des fins pour lesquelles il est conçu.
5. L'utilisation du taille-haie à perche doit être réservée aux adultes. Ne laissez jamais un enfant se servir de cet appareil.

6. **Portez des vêtements appropriés lors de l'utilisation du taille-haie à perche**

- Évitez de porter des vêtements amples ou des bijoux qui pourraient se prendre dans les pièces ou les lames en mouvement du taille-haie à perche.
 - Portez toujours des gants de caoutchouc et de solides chaussures lorsque vous travaillez à l'extérieur.
 - Portez toujours des accessoires appropriés pour retenir les cheveux longs.
 - Portez toujours une visière ou un masque anti-poussière, si vous travaillez dans un endroit poussiéreux.
7. Portez toujours un dispositif de protection des yeux au moins conforme aux exigences de la norme ANSI Z87.1.
 8. Servez-vous de l'appareil seulement avec une alimentation électrique dont la tension est identique à ce qui est inscrit sur la plaque signalétique de l'appareil.

⚠ AVERTISSEMENT : Pour réduire le risque de choc électrique, utilisez l'appareil seulement avec une rallonge électrique conçue pour l'utilisation extérieure : SW-A, SOW-A, STW-A, STOW-A, SJW-A, SJOW-A, SJTW-A ou SJTOW-A.

9. **Rallonge électrique** – Assurez-vous que la rallonge électrique est en bon état. Lors de l'utilisation d'une rallonge électrique, assurez-vous qu'elle est suffisamment puissante pour transmettre le courant exigé par le taille-haie à perche. L'utilisation d'une rallonge électrique de calibre inférieur entraînera une chute de l'intensité électrique, ce qui aura pour résultat une perte de puissance et la surchauffe de l'appareil.

Le tableau ci-dessous précise la taille de rallonge électrique à utiliser en fonction de la longueur et de l'intensité inscrite sur la plaque signalétique. En cas de doute, utilisez une rallonge de calibre supérieur. Moins le calibre est élevé, plus la rallonge est en mesure de transmettre l'intensité de courant appropriée. Pour réduire le risque de débranchement de la rallonge électrique raccordée au taille-haie pendant l'utilisation, servez-vous du dispositif pour rallonge décrit dans le présent guide.

Tension (V)	Longueur totale de la rallonge en pieds			
120	25	50	100	150
Intensité (A)	Calibre AWG			
0-6	18	16	16	14

10. Utilisez toujours un circuit ou une prise électrique dotée d'un disjoncteur de fuite de terre. À cet effet, vous pouvez utiliser une prise extérieure avec disjoncteur de fuite de terre intégré.
11. N'utilisez pas le taille-haie à perche près de fils ou de câbles électriques ou téléphoniques. Tenez-vous toujours au moins à 10 pieds de tels fils et câbles.

UTILISATION DU TAILLE-HAIE À PERCHE

1. **Soyez vigilant** - Prenez garde à vos gestes et faites preuve de bon sens.
2. Vous devez toujours être conscient de l'endroit où se trouve la rallonge électrique. Évitez de trébucher sur la rallonge. Assurez-vous que la rallonge est toujours située loin des lames.
3. **Évitez les démarrages accidentels** - Évitez de transporter un taille-haie branché avec le doigt sur la gâchette. Assurez-vous que l'interrupteur est en position « ARRÊT » lorsque vous branchez le taille-haie.
4. **Évitez de vous étirer** - Gardez les deux pieds bien au sol et en équilibre lorsque vous vous servez du taille-haie à perche.



CONSIGNES DE SÉCURITÉ

Suite

**⚠ DANGER – RISQUE DE COU-
PURE – Gardez les mains éloi-
gnées des lames en tout temps.
Conservez les deux mains sur la
poignée pendant le fonctionne-
ment du taille-haie à perche. Ne
tentez pas de retirer les objets
coupés ni de tenir les objets à
couper avec les mains lorsque
les lames sont en mouvement.
Évitez de ramasser ou de tenir
le taille-haie par les lames ou par
l'extrémité des lames.**

**⚠ ATTENTION – Les lames
s'arrêtent graduellement lorsque
vous coupez l'alimentation.**

5. **Débranchez le taille-haie** - Débranchez le taille-haie à perche de la source d'alimentation :
 - Lorsque vous ne vous en servez pas
 - Avant d'en faire l'entretien
 - Durant le remplacement des accessoires, notamment des lames
 - Pour retirer des éléments pris entre les lames
 - Pour vous déplacer d'un endroit à un autre
6. **N'appuyez pas sur le taille-haie** - L'appareil fonctionnera beaucoup mieux avec moins de risque de blessure si vous vous en servez sans appuyer trop fort dessus, au rythme pour lequel il est conçu.
7. **Prenez soin du cordon électrique** - Ne transportez jamais le taille-haie au moyen du cordon électrique et évitez de tirer sur le cordon pour le débrancher de la prise. Évitez tout contact du cordon avec la chaleur, l'huile et les pointes acérées.
8. Avant de faire démarrer le taille-haie à perche, assurez-vous que les lames ne sont en contact avec aucun objet.

ENTRETIEN ET ENTREPOSAGE DU TAILLE-HAIE À PERCHE

1. **Prenez bien soin du taille-haie à perche**
 - Pour un meilleur rendement et pour réduire les risques de blessure, assurez-vous que les lames sont propres et bien affûtées.
 - Appliquez périodiquement une mince pellicule d'huile sur le tranchant des lames pour en assurer la lubrification (de préférence, d'huile moteur).
 - Inspectez périodiquement le cordon électrique du taille-haie à perche; s'il est endommagé, faites-le réparer dans un centre de service autorisé.
 - Inspectez périodiquement les rallonges électriques et remplacez-les si elles sont endommagées.
 - Assurez-vous que les poignées sont propres et sèches, et qu'elles sont exemptes d'huile et de graisse.
2. **Recherchez les pièces endommagées**
 - Lorsqu'une pièce est endommagée, vérifiez-la avec soin avant de vous servir du taille-haie à perche. Assurez-vous que la pièce fonctionne correctement et qu'elle peut effectuer le travail prévu.
 - Vérifiez l'alignement, le montage, les bris, le déplacement des pièces en mouvement et recherchez tout problème pouvant affecter le fonctionnement de l'appareil.
 - Les dispositifs de protection et toute pièce endommagée doivent être réparés ou remplacés dans un centre de service autorisé, à moins d'avis contraire dans le présent guide.
3. Utilisez seulement des pièces de rechange identiques lorsque vous faites l'entretien du taille-haie à perche.
4. Pour réduire les risques de choc électrique, le taille-haie à perche est doté d'une fiche polarisée (l'une des broches est plus grande que l'autre); cette fiche exige l'utilisation d'une rallonge électrique à prise polarisée. La fiche du

taille-haie à perche s'insère d'une seule façon dans la prise de la rallonge électrique. Si vous n'arrivez pas à insérer complètement la fiche dans la prise, inversez la fiche. Si vous n'arrivez toujours pas à l'insérer complètement dans la prise, procurez-vous une rallonge électrique dotée d'une prise polarisée. Une telle rallonge électrique exige l'utilisation d'une prise électrique murale polarisée. La fiche de la rallonge s'insérera complètement, d'une seule façon, dans la prise murale polarisée. Si la fiche de la rallonge ne s'insère pas complètement dans la prise murale, inversez la fiche. Si la fiche ne s'insère toujours pas complètement, contactez un électricien pour faire installer une prise murale appropriée. Vous ne devez pas modifier la fiche du taille-haie à perche, la prise de la rallonge électrique ni la fiche de la rallonge électrique.

5. **Entreposez le taille-haie à perche à l'intérieur** - Lorsque vous ne vous en servez pas, vous devez entreposer le taille-haie à perche à l'intérieur, dans un endroit sec et frais. Placez le taille-haie hors de la portée des enfants ou dans un endroit verrouillé, hors de la portée des enfants.

Ce guide vous aidera à vous servir de façon sécuritaire et appropriée du taille-haie à perche.

CONSERVEZ CES DIRECTIVES.

DÉBALLAGE

1. Retirez le taille-haie à perche et tous les articles de l'emballage. Le taille-haie à perche est vendu complètement assemblé, prêt à utiliser.
2. Recherchez les dommages pouvant être attribuables à l'expédition. Si vous trouvez des dommages ou s'il manque des pièces, contactez rapidement le détaillant où vous avez acheté le taille-haie à perche ou faites le 1 800 858-8501 (en anglais seulement).

GUIDE DU PROPRIÉTAIRE

IDENTIFICATION DU PRODUIT

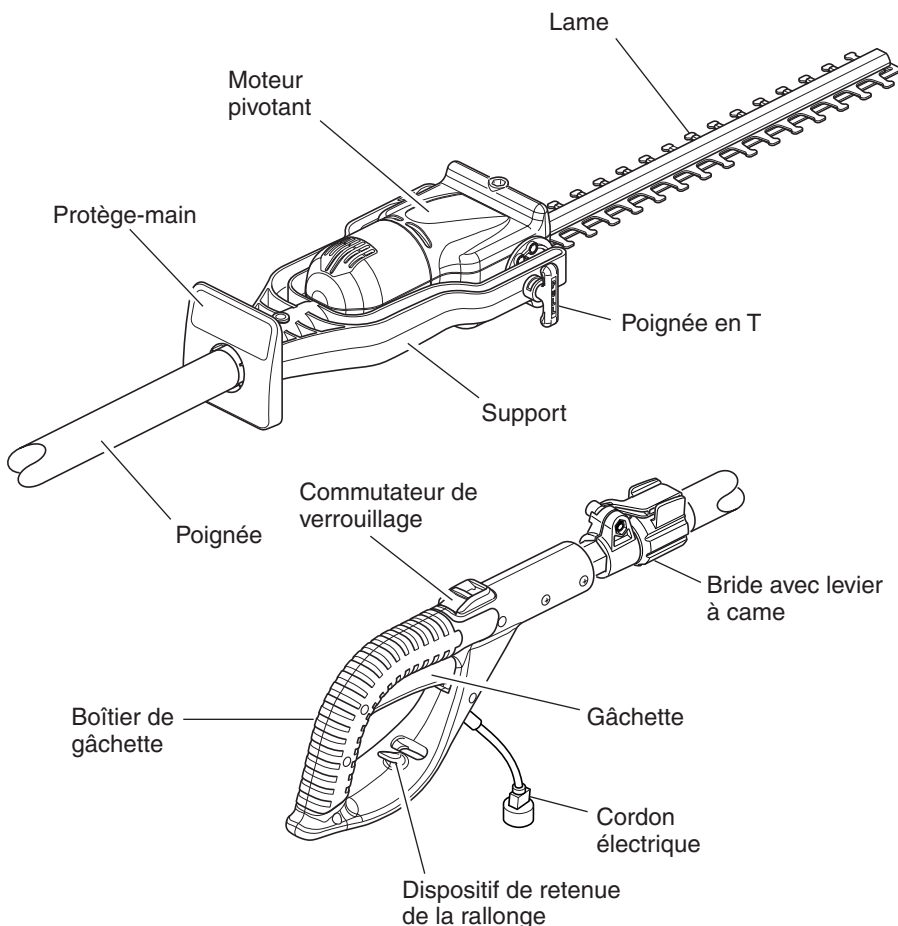


Figure 1 – Identification du produit : Taille-haie à perche Remington

UTILISATION DU TAILLE-HAIE

⚠ AVERTISSEMENT : Lisez le guide du propriétaire et assurez-vous de bien le comprendre avant de vous servir du taille-haie à perche. Assurez-vous de lire et de comprendre toutes les *Consignes de sécurité* des pages 31 et 32. L'utilisation inappropriée du taille-haie à perche peut entraîner de graves blessures, voire le décès, par suite d'un incendie, d'un choc électrique ou du contact avec les pièces en mouvement.

POUR FAIRE PIVOTER LE MOTEUR

Le taille-haie à perche est doté d'un moteur pivotant. Ce dernier peut pivoter de 180 degrés. Le moteur est doté d'une poignée en T à ressort qui vous permet de verrouiller l'appareil en différentes positions, selon un angle de rotation de 180 degrés.

Avant de raccorder le taille-haie à perche à l'alimentation électrique, assurez-vous que le moteur est verrouillé à la position désirée. Pour ce faire, essayez de faire pivoter le moteur dans l'une ou l'autre direction. Le moteur devrait être verrouillé en position et ne devrait pas tourner.

Pour faire pivoter le moteur, suivez les directives ci-après.

1. Tirez sur la poignée en T, sur le côté du support de pivot. Comme cette poignée est dotée d'un ressort, vous sentirez une certaine résistance lorsque vous tirerez dessus.

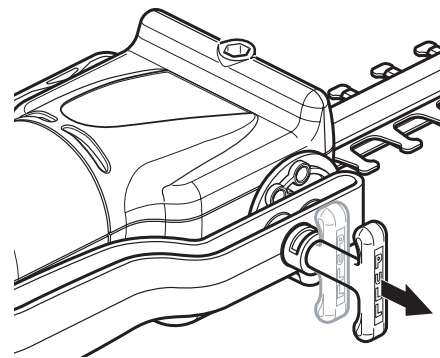


Figure 2 – Tirez sur la poignée en T pour faire pivoter le moteur

2. Agrippez le boîtier, puis faites pivoter le moteur selon la position désirée : 0, 45 ou 90 degrés.

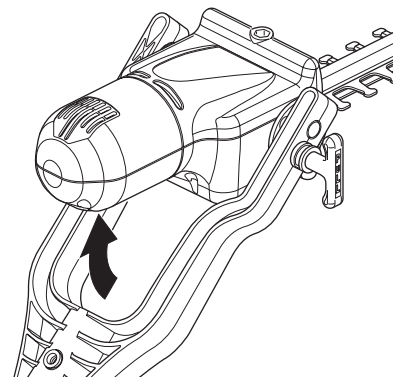


Figure 3 – Rotation du moteur

UTILISATION DU TAILLE-HAIE

Suite

3. Relâchez la poignée en T. Elle devrait s'encliqueter en place. Si ce n'est pas le cas, faites doucement tourner le moteur de l'avant vers l'arrière jusqu'à ce que la poignée en T s'encliquette en place. Le moteur est alors verrouillé à la position désirée, prêt à utiliser.

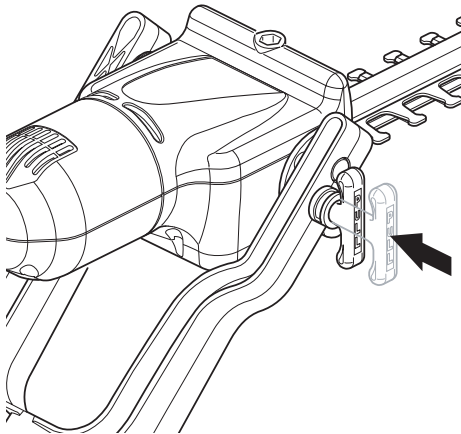


Figure 4 – Verrouillage du moteur dans la position désirée

RALLONGE ÉLECTRIQUE

Vous devez utiliser une rallonge électrique appropriée avec le taille-haie à perche. Utilisez seulement des rallonges conçues pour l'utilisation extérieure. De fait, la description de la rallonge doit être suivie du suffixe W ou W-A; *par exemple* : SJWTW-A ou SJWTW.

Utilisez en outre une rallonge de calibre approprié au taille-haie. La rallonge doit être suffisamment puissante pour fournir le courant nécessaire. Une rallonge de calibre insuffisant entraînera une chute de la tension au niveau du taille-haie, qui perdra alors de la puissance et surchauffera. Utilisez une rallonge du calibre indiqué dans le tableau ci-après :

Longueur de la rallonge	Calibre AWG
25 pieds	18 AWG
50 pieds	16 AWG
100 pieds	16 AWG
150 pieds	14 AWG

Assurez-vous que la rallonge ne se trouve pas dans la zone de coupe. Assurez-vous également que la rallonge ne se prend pas dans les branches pendant la coupe. Inspectez souvent la rallonge et remplacez les rallonges endommagées.

RACCORDEMENT DE LA RALLONGE ÉLECTRIQUE

Le taille-haie à perche est doté d'un dispositif intégré de retenue de la rallonge pour éviter le débranchement accidentel de l'appareil pendant l'utilisation. Ce dispositif est intégré à la partie inférieure de la poignée, dans la zone du boîtier de la gâchette.

1. Assurez-vous que la gâchette est en position « ARRÊT » (consultez la section *Démarrage du taille-haie à perche* à la page 34).
2. Branchez le cordon électrique dans la rallonge.

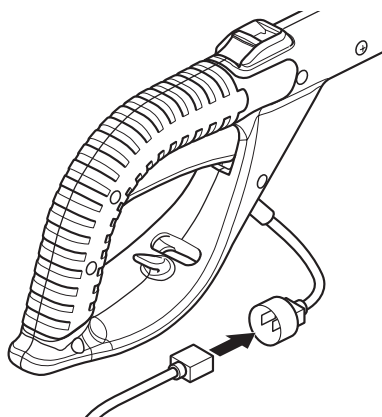


Figure 5 – Branchement du cordon électrique du taille-haie dans la rallonge

3. Faites une boucle dans la rallonge, puis insérez-la à travers la partie inférieure de la poignée. Faites ensuite passer la boucle dans le crochet moulé dans la poignée (consultez les Figures 6 et 7).

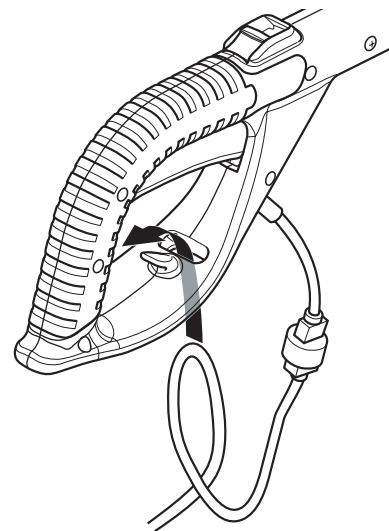


Figure 6 – Insertion de la boucle de la rallonge à travers la partie inférieure de la poignée

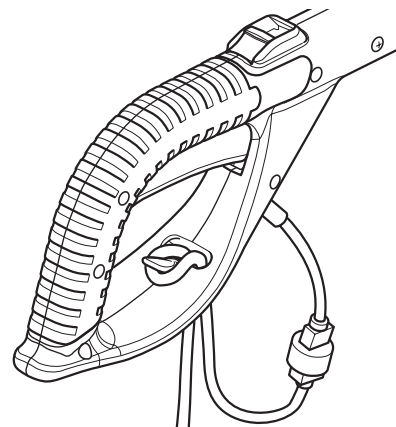


Figure 7 – Passage de la boucle autour du crochet moulé dans la poignée

Suite

GUIDE DU PROPRIÉTAIRE

UTILISATION DU TAILLE-HAIE

Suite

Note : La Figure 8 montre une autre méthode de fixation de la rallonge, pouvant être utilisée avec les rallonges de calibre supérieur qui ne passent pas par l'orifice dans la partie inférieure de la poignée.

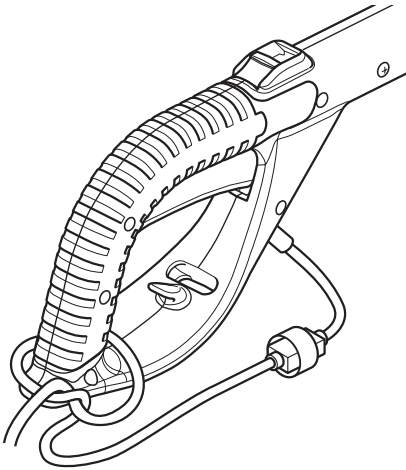


Figure 8 – Méthode optionnelle de fixation de la rallonge

DÉMARRAGE DU TAILLE-HAIE À PERCHE

Le taille-haie à perche est doté d'un bouton de verrouillage de la gâchette sur le dessus de la poignée. Ce dispositif de sécurité verrouille la gâchette en position « ARRÊT », évitant ainsi le démarrage accidentel du taille-haie.

Le bouton de verrouillage comporte trois positions :

Position 1 – verrouille la gâchette.

Position 2 – vous permet d'appuyer sur la gâchette et de faire fonctionner le taille-haie. Le bouton de verrouillage retourne automatiquement en position 1 lorsque vous relâchez la gâchette.

Position 3 – permet de verrouiller la gâchette en position « MARCHE ». Cela est pratique lorsque vous vous servez du taille-haie de façon continue pendant une période prolongée.

Déverrouillage de la gâchette pour faire démarrer le taille-haie

1. Au moyen du pouce, appuyez sur le bouton de verrouillage de la gâchette pour le faire passer en position 2. Appuyez ensuite sur la gâchette en position « MARCHE ». Le taille-haie à perche devrait se mettre en marche.

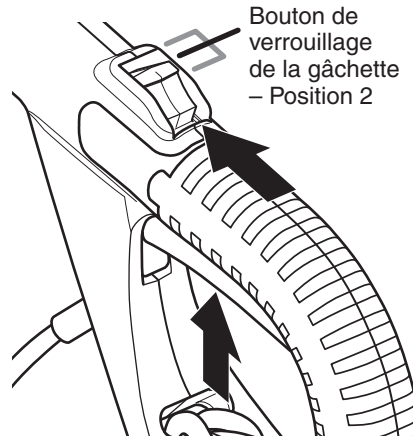


Figure 9 – Utilisation manuelle de la gâchette lorsque le bouton de verrouillage est en position 2

2. Relâchez le bouton de verrouillage lorsque le taille-haie fonctionne. Le bouton de verrouillage reviendra automatiquement à la position 1 chaque fois que vous relâchez la gâchette.

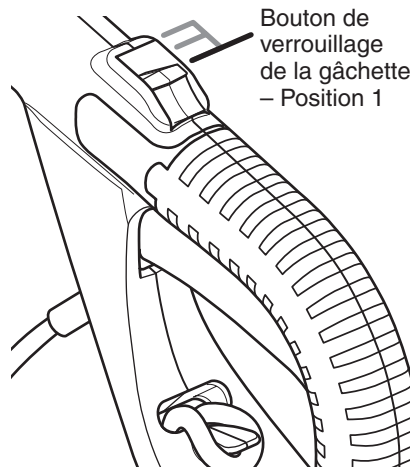


Figure 10 – Le bouton de verrouillage revient en position 1 lorsque vous relâchez (ARRÊT) la gâchette

Verrouillage du taille-haie en position « MARCHE »

1. Au moyen du pouce, appuyez sur le bouton de verrouillage de la gâchette pour le faire passer en position 2. Appuyez ensuite sur la gâchette en position « MARCHE ». Le taille-haie à perche devrait se mettre en marche.
2. Pendant que le taille-haie fonctionne, poussez de nouveau le bouton de verrouillage vers l'avant, en position 3. Maintenez le bouton dans cette position tout en relâchant la gâchette, puis relâchez le bouton de verrouillage. Cela verrouille la gâchette en position « MARCHE » et assure le fonctionnement continu du taille-haie.
3. Pour arrêter le taille-haie, appuyez sur la gâchette puis relâchez-la. Le bouton de verrouillage de la gâchette retourne en position 1, verrouillant ainsi la gâchette en position « ARRÊT ».

Note : Si le taille-haie à perche est verrouillé en position « MARCHE », mais qu'il se débranche de l'alimentation électrique, désactivez le verrouillage (position « MARCHE ») avant de rebrancher l'alimentation.

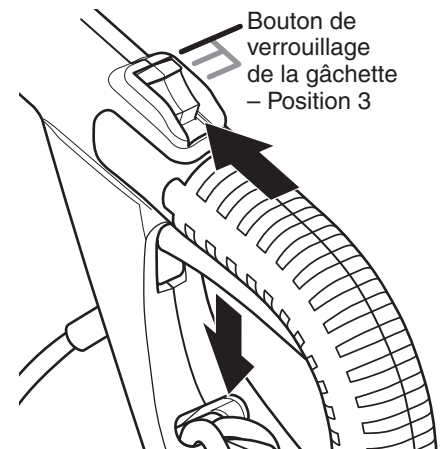


Figure 11 – Verrouillage de la gâchette en position « MARCHE » pendant que le bouton de verrouillage est en position 3

TAILLE-HAIE ÉLECTRIQUE À PERCHE

UTILISATION DU TAILLE-HAIE

Suite

RÉGLAGE DE LA LONGUEUR DE LA PERCHE

Le taille-haie à perche Remington^{MD} est doté d'une perche télescopique pourvue d'une rallonge de 10 po. Un collier avec levier de serrage permet de maintenir la tige à la longueur de travail désirée.

1. Pour rallonger la perche, déverrouillez le levier à came, comme illustré dans la Figure 12. La perche peut alors glisser librement.
2. Tirez sur le tronçon interne de la perche pour le sortir à la longueur voulue.
3. Pour verrouiller la tige à la longueur désirée, serrez le levier de serrage comme illustré dans la Figure 12.

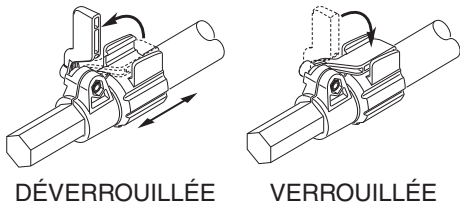


Figure 12 - Extension de la perche télescopique

UTILISATION DU TAILLE-HAIE

Le taille-haie à perche est un outil à double usage. Il est conçu pour tailler les très grandes haies et les buissons difficiles d'accès grâce à sa perche et à son moteur pivotant. Vous pouvez également régler le taille-haie à perche pour tailler les haies et les buissons de petite taille, situés près du sol, sans avoir à vous pencher ni à vous accroupir.

POSITIONS DE FONCTIONNEMENT

Pour vous servir du taille-haie à perche pour tailler des grandes haies ou de grands buissons difficiles d'accès, tenez l'outil dans la position illustrée dans la Figure 13. Vous pouvez faire pivoter le moteur à différentes positions afin de tailler ou de sculpter les buissons ou les haies.



Figure 13 - Taille de grands buissons ou de grandes haies

Pour vous servir du taille-haie à perche pour tailler des buissons ou des haies de petite taille, tenez le taille-haie dans la position illustrée dans la Figure 14.

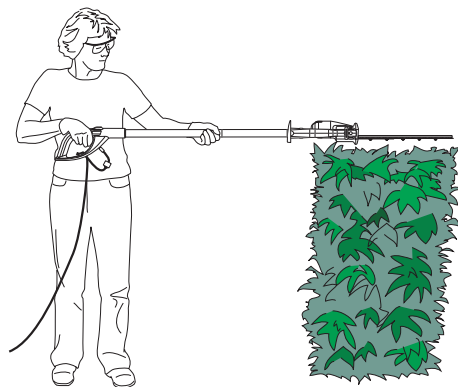


Figure 14 - Taille de haies ou buissons de petite taille

Pour vous servir du taille-haie à perche pour tailler la partie inférieure et les côtés des haies et des buissons, tenez le taille-haie dans la position illustrée à la Figure 15.



Figure 15 - Taille de la partie inférieure et des côtés des haies et des buissons

Pour vous servir du taille-haie à perche pour tailler le feuillage ou les couvre-sol, tenez le taille-haie dans la position illustrée à la Figure 16.



Figure 16 - Taille du feuillage ou des couvre-sols

Suite

UTILISATION DU TAILLE-HAIE

Suite

TAILLE D'UNE HAIE

Vous devez vous servir correctement du taille-haie à perche. Portez toujours des lunettes, des gants de caoutchouc et de solides chaussures lorsque vous vous servez du taille-haie. Gardez les pieds solidement au sol et en équilibre, et évitez de trop vous étirer lorsque vous utilisez le taille-haie à perche. Avant de faire démarrer l'appareil, maintenez-le des deux mains en vous servant des poignées. Assurez-vous que les lames n'entrent en contact avec aucun objet.

Gardez toujours la rallonge électrique derrière le taille-haie à perche lorsque vous vous en servez. Ne faites pas passer la rallonge par dessus la haie car vous pourriez la couper.

Faites de grands mouvements uniformes de va-et-vient pour couper les nouvelles pousses. N'essayez pas d'en tailler une trop grande quantité à la fois. Cela pourrait entraîner le ralentissement du taille-haie ou son blocage, ce qui réduirait l'efficacité de la coupe.

N'appuyez pas fortement sur le taille-haie pour le faire passer à travers des zones de feuillage de plus forte densité. Un léger mouvement de scie, d'avant vers l'arrière, peut faciliter la taille des zones de feuillage plus denses. Lorsque le taille-haie à perche ralentit, réduisez le rythme de taille.

Si le taille-haie venait à se bloquer, arrêtez-le immédiatement. Débranchez le taille-haie de l'alimentation électrique, puis retirez les débris coincés entre les lames.

Ne tentez pas de couper des branches d'un diamètre supérieur à 3/4 po.

Pour de meilleurs résultats, taillez les côtés des haies au moyen d'un mouvement vers le haut. Assurez-vous que la partie supérieure de la haie est légèrement moins large que la partie inférieure. Pour tailler des haies de niveau, servez-vous d'une corde fixée sur toute la longueur de la haie comme guide (consultez la Figure 17).

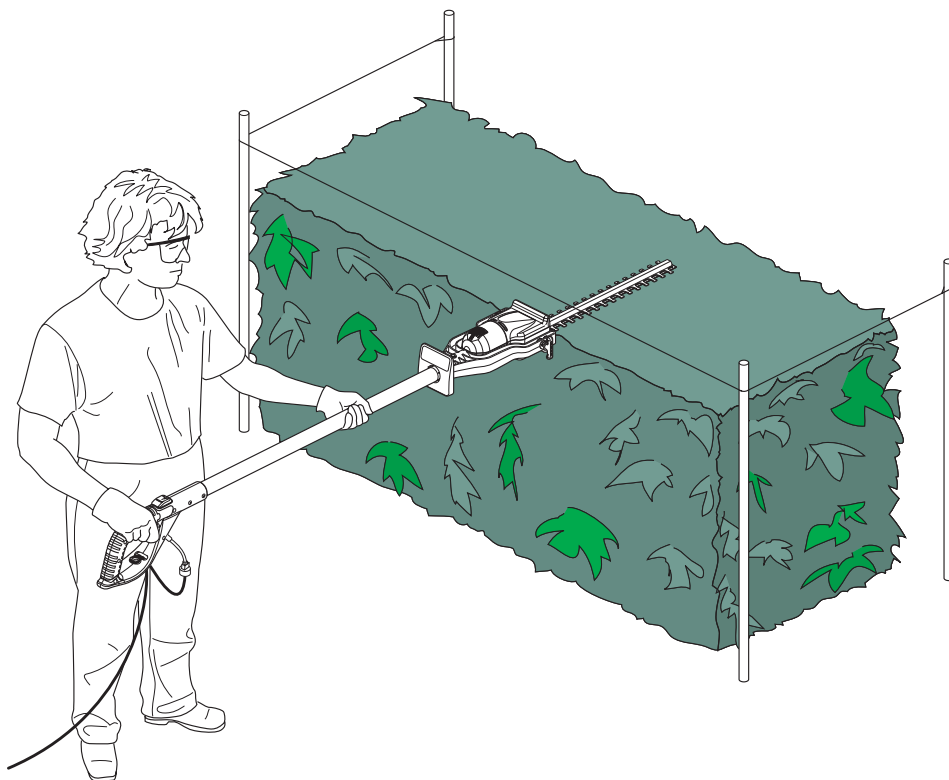


Figure 17 – Taille d'une haie

NETTOYAGE ET ENTRETIEN

⚠ AVERTISSEMENT : Débranchez le taille-haie à perche de l'alimentation électrique avant de le nettoyer ou d'en faire l'entretien. De graves blessures, voire le décès, pourraient découler d'un incendie ou d'un choc électrique ou encore du contact du corps avec les lames en mouvement.

⚠ AVERTISSEMENT : Lors du nettoyage du taille-haie à perche :

- Évitez de submerger le taille-haie dans des liquides
- N'utilisez pas de produits contenant de l'ammoniaque, du chlore ou des abrasifs
- N'utilisez pas de solvants contenant du chlore, du tétrachlorure de carbone, du kérosène ou de la gazoline.

Servez-vous d'un chiffon mouillé d'une solution de savon doux et d'eau pour essuyer la perche, le boîtier et les lames du taille-haie à perche. Évitez de vaporiser ou de verser directement de l'eau sur le taille-haie.

Une fois le taille-haie nettoyé, appliquez une mince pellicule d'huile sur les lames pour éviter la rouille et en assurer la lubrification (de préférence, d'huile moteur).

DÉPANNAGE

Note : Pour plus de détails ou pour obtenir de l'aide, visitez notre site Web à l'adresse www.desatech.com.

⚠ AVERTISSEMENT : Débranchez le taille-haie à perche de la source d'alimentation avant d'en faire l'entretien. De graves blessures, voire le décès, pourraient découler d'un incendie, d'un choc électrique ou du contact du corps avec les pièces en mouvement.

PROBLÈME

Le moteur ne fonctionne pas lorsque vous appuyez sur la gâchette

CAUSE POSSIBLE

1. Vous n'avez pas appuyé sur le bouton de verrouillage de la gâchette pour relâcher cette dernière
2. La connexion de la rallonge électrique est lâche
3. Le disjoncteur est ouvert ou le fusible est grillé dans le circuit électrique
4. Les brosses du moteur sont endommagées
5. L'un des fils du taille-haie est coupé

SOLUTION

1. Repoussez le bouton de verrouillage vers l'avant, puis appuyez sur la gâchette (consultez la section *Démarrage du taille-haie à perche* à la page 35)
2. Vérifiez les connexions de la rallonge
3. Vérifiez le disjoncteur ou le fusible
4. Contactez le service technique
5. Contactez le service technique

Le moteur fonctionne, mais les lames ne bougent pas Le taille-haie est endommagé

Taille-haie à perche endommagé. Évitez de vous en servir.

Contactez le service technique

Le taille-haie émet de la fumée pendant le fonctionnement Le taille-haie est endommagé

Taille-haie à perche endommagé. Évitez de vous en servir.

Contactez le service technique

GUIDE DU PROPRIÉTAIRE

ENTRETIEN DU TAILLE-HAIE À PERCHE

Le taille-haie à perche est un outil à double isolation qui comporte des pièces qui doivent être remplacées seulement par des pièces originales installées par un centre de service autorisé. Visitez le site Web du service technique à l'adresse www.desatech.com ou contactez le service téléphonique technique (en anglais seulement) au 1 800 858-8501 pour connaître le centre de service autorisé le plus proche.

Les pièces inscrites aux pages 42 et 43 peuvent être remplacées par l'utilisateur. Consultez la section *Pièces de rechange et accessoires* à la page 40 pour plus de détails sur la commande de ces pièces.

REPLACEMENT DES LAMES

⚠ MISE EN GARDE : Pour éviter de graves blessures, portez des gants pour retirer ou installer les lames. Ne placez pas les doigts ni les mains entre les lames pour éviter les coupures.

1. Débranchez le taille-haie à perche.
2. Placez le taille-haie à l'envers sur un plan de travail et retirez les quatre (4) vis du couvercle. Enlevez ensuite le couvercle (consultez la Figure 18).

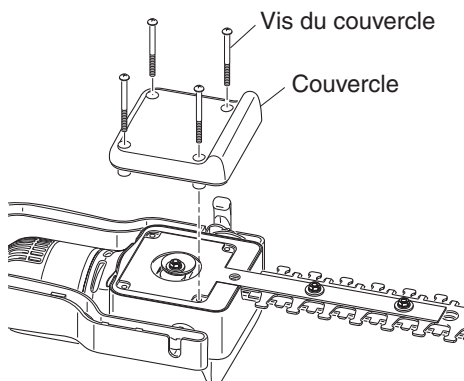


Figure 18 - Retrait du couvercle sous le corps du taille-haie

3. Enlevez le contre-écrou M5 et la rondelle de la came (voir la Figure 19).
4. Alignez la came et l'ensemble de la lame, puis retirez la came (voir la Figure 19).

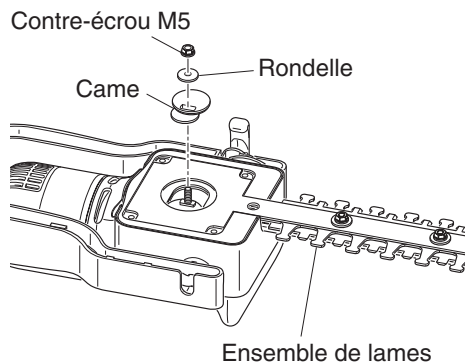


Figure 19 - Retrait de la came

5. Enlevez la vis qui retient l'ensemble de la lame (voir la Figure 20). **IMPORTANT :** Assurez-vous de ne pas desserrer le contre-écrou 8-32 qui fixe cette vis.

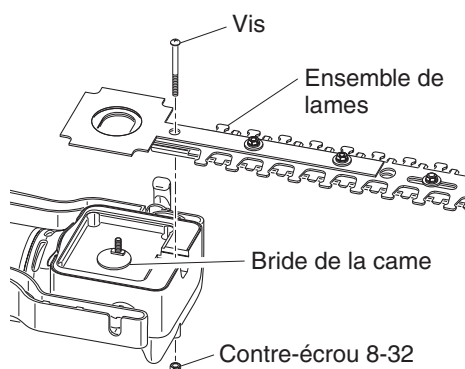


Figure 20 - Retrait de l'ensemble de la lame

6. Enlevez l'ensemble de la lame et jetez-la aux rebuts.
7. Fixez le nouvel ensemble de la lame à l'entraînement au moyen de la vis et du contre-écrou retirés à l'étape 5.
8. Réglez l'ensemble de la lame de sorte que la came s'insère correctement sur les lobes de forme ovale de l'ensemble (voir la Figure 19). **IMPORTANT :** La partie au diamètre supérieur de la came doit être sur le dessus, à l'opposé de l'entraînement. La partie au diamètre inférieur de la came doit être située en-dessous, reposant directement sur la bride de la came.
9. Remplacez la rondelle et le contre-écrou retirés à l'étape 3, puis serrez celui-ci solidement.
10. Remplacez le couvercle inférieur et fixez-le au moyen des 4 vis retirées à l'étape 2 (voir la Figure 18). Serrez solidement ces vis.

⚠ MISE EN GARDE : Tous les éléments doivent être installés et bien serrés avant de rebrancher le taille-haie à perche dans une prise électrique, sinon vous risquez d'endommager l'appareil ou de subir de graves blessures.

Note : En cas de serrement après le montage, répétez les étapes ci-dessus en vous assurant que la came est bien alignée avec l'ensemble de lames.

PIÈCES DE RECHANGE ET ACCESSOIRES

Pour obtenir des pièces de rechange et des accessoires d'origine pour ce produit, contactez le détaillant autorisé ou le centre de service autorisé le plus proche. Si ces derniers ne sont pas en mesure de vous fournir la pièce ou l'accessoire dont vous avez besoin, contactez le dépôt de pièces le plus proche, inscrit sur la liste à la page 41. Chaque détaillant autorisé, centre de service autorisé et dépôt de pièces est la propriété exclusive de la personne qui en assure l'exploitation de façon indépendante.

Consultez les pages 42 et 43 pour une liste illustrée des pièces.

Pour plus de détails, contactez le Service technique (consultez la section *Service technique*).

Au Canada, faites le 1 800 561-3372 pour obtenir plus de détails sur les pièces.

SERVICE TECHNIQUE

Peut-être aurez-vous d'autres questions sur l'assemblage, le fonctionnement ou l'entretien de ce produit. Si c'est le cas, visitez le site Web du Service technique à l'adresse www.desatech.com ou contactez le Service technique au 1 800 858-8501 (en anglais seulement). Vous pouvez aussi nous écrire à l'adresse suivante :

DESA Specialty Products^{MC}
ATTN. : Technical Service Specialty Products
P.O. Box 90004
Bowling Green, KY 42101-9004

Lorsque vous contactez DESA Specialty Products^{MC} veuillez avoir à portée de la main :

- Votre nom
- Votre adresse
- Votre numéro de téléphone
- Le numéro de modèle du produit
- La date d'achat (y compris une copie du reçu de caisse pour les demandes écrites).

SERVICE DE RÉPARATION

Note : Utilisez seulement des pièces de rechange d'origine. Vous aurez ainsi droit à la protection de la garantie pour toute pièce remplacée en vertu de la garantie.

Pour plus de détails sur le centre de service ou sur la garantie, faites le 1 800 858-8501 (en anglais seulement) ou visitez le site Web du Service technique à l'adresse www.desatech.com.

SERVICE SOUS GARANTIE

Si le produit doit être réparé pendant la période de validité de la garantie, apportez-le au centre de service autorisé le plus proche. Vous devrez alors présenter une preuve d'achat. Si le problème est attribuable à un défaut de fabrication ou de matériau, nous assurerons sans frais la réparation ou le remplacement du produit. *Note* : Les dommages attribuables à l'usure normale, à une utilisation abusive ou à mauvais escient, à la négligence ou à un accident ne sont pas couverts aux termes de la garantie.

SERVICE HORS GARANTIE

Si le produit doit être réparé, apportez-le au centre de service autorisé le plus proche. Les frais de réparation vous seront facturés conformément au prix habituel des réparations.

GUIDE DU PROPRIÉTAIRE

DÉPÔT DE PIÈCES

Ray's Portable Heater Service

3191 Myers Road
Camino, **CA** 95709-9550
530-644-7716

Tool & Equipment Service Solutions, LLC

5 Manila Drive
Hamden, **CT** 06514-0322
203-248-7553
1-800-397-7553

Grainger Parts Operation

1657 Shermer Road
Northbrook, **IL** 60062-5362
708-498-5900
1-800-323-0620
www.grainger.com

Portable Heater Parts

342 North County Road 400 East
Valparaiso, **IN** 46383-9704
219-462-7441
1-800-362-6951
www.portableheaterparts.com
sales@portableheaterparts.com
techservice@portableheaterparts.com

FBD

1349 Adams Street
Bowling Green, **KY** 42103-3414
270-846-1199
1-800-654-8534
franktalk@aol.com

Lyons & Lyons Sales Co. Inc.

Glen Arm Road
Glen Arm, **MD** 21057-9454
301-665-6500
1-800-333-5966
lyonsco@erols.com

Master Part Distributors

1251 Mound Avenue NW
Grand Rapids, **MI** 49504-2672
616-791-0505
1-800-446-1446
www.masterparts.net

Hance Distributors, Inc.

12795 16th Avenue North
Plymouth, **MN** 55441-4556
763-559-2299
www.hanceco.com

Automotive Equipment Service

1651 E. Kansas City Road
Olathe, **MO** 66061
816-531-9144
1-800-843-3546
www.aes-lawnparts.com

Bowden Electric Motor Service

1681 S. Wesleyan Blvd.
Rocky Mount, **NC** 27803
252-446-4203

East Coast Energy

10 East Route 36
West Long Branch, **NJ** 07764-1501
1-800-755-8809

Forrest Lytle and Sons, Inc.

740 West Galbraith Road
Cincinnati, **OH** 45231-6002
513-521-1464

Bortz Chain Saw Shop

Road #2, Box 64A
Oley, **PA** 19547-9412
610-987-6452

21st Century

2950 Fretz Valley Road
Perkasie, **PA** 18944-4034
215-795-0400
1-800-325-4828

La Porte's

2444 N 5th Street
Hartsville, **SC** 29550-7704
843-332-0191

MTA Distributors

555 Hickory Hills Blvd.
Nashville, **TN** 37189-9244
615-299-8777
1-800-264-0225

Webbs Appliance Center

1519 Church Street
Nashville, **TN** 37203-3004
615-329-4079
1-800-899-4079

Industrial Hardware

4109 Bainbridge Blvd.
Chesapeake, **VA** 23324-1403
757-543-2232
1-800-788-0008
catatem@erols.com

Mills Lawn and Garden

4750-B Baxter Road
Virginia Beach, **VA** 23462
757-490-7001
www.mills-parts.com

Tuco Industrial Products

5223 180th Street SW
Suite 4A-1
Lynnwood, **WA** 98037-4506
425-743-9533
1-800-735-1268
www.tucoheat.com

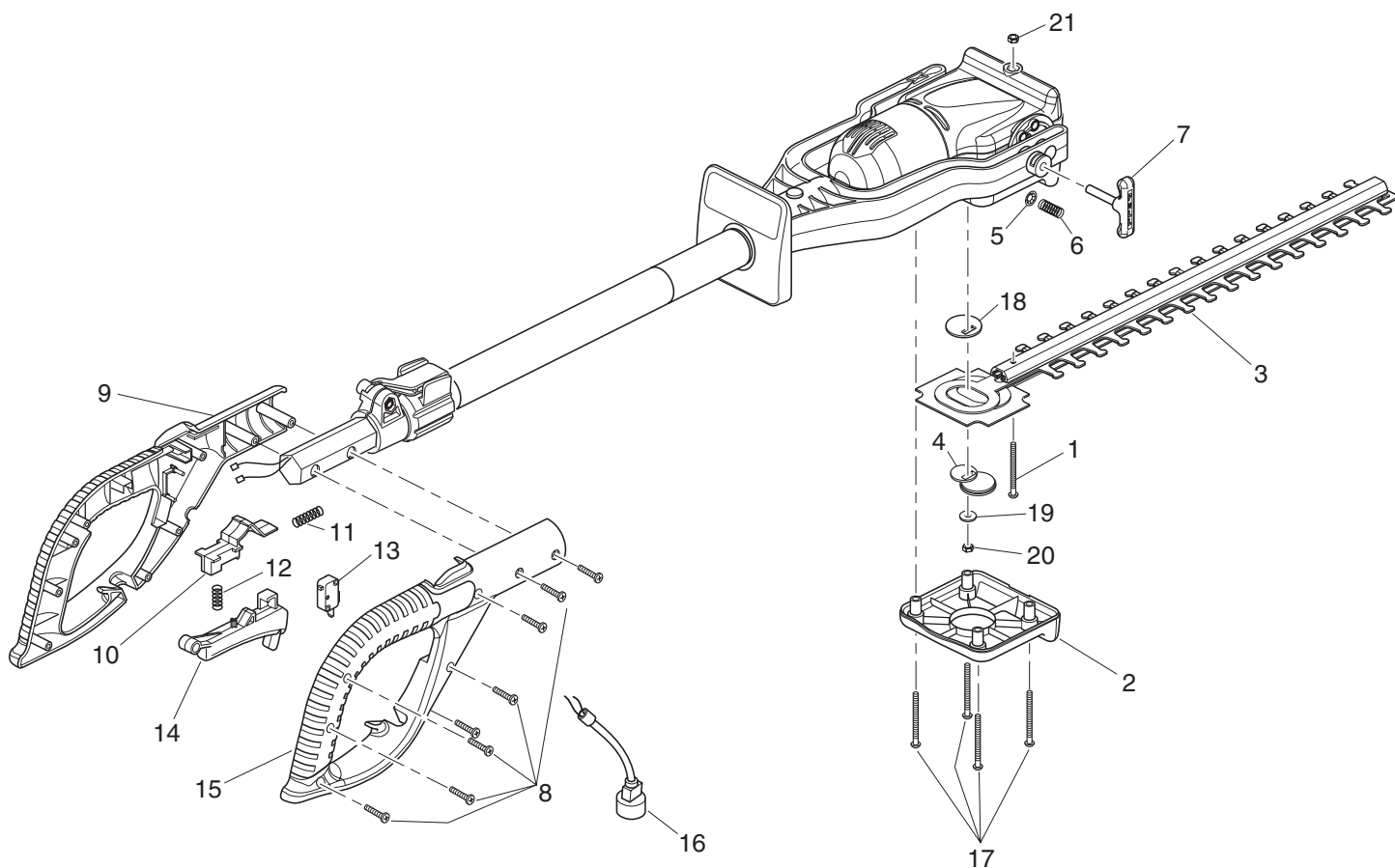
REMINGTON®

TAILLE-HAIE ÉLECTRIQUE À PERCHE

LISTE ILLUSTRÉE DES PIÈCES

TAILLE-HAIE À PERCHE
MODÈLE 110946-01A

Note : Cet appareil comporte des pièces à double isolation. Pour conserver les caractéristiques antichoc, l'appareil doit être entretenu par un centre de service autorisé, sauf pour ce qui est des pièces illustrées ci-après. Consultez la section *Entretien du taille-haie à perche* à la page 39.



GUIDE DU PROPRIÉTAIRE

LISTE DE PIÈCES

TAILLE-HAIE À PERCHE MODÈLE 110946-01A

Cette liste comprend les pièces du taille-haie à perche pouvant être remplacées par le propriétaire. Lors de la commande de pièces, assurez-vous de fournir le numéro de modèle approprié (inscrit sur la plaque signalétique) ainsi que le numéro de pièce et la description de la pièce désirée.

NUMÉRO	N° DE PIÈCE	DESCRIPTION	QUANTITÉ
1	110929-01	Vis 8-32 x 2 po PH, PR	1
2	116228-02	Couvercle inférieur	1
3	114958-02	Lames	1
4	115444-02	Came	1
5	110925-01	Écrou poussoir – 0,25 po	1
6	110933-01	Ressort de bouton de réglage	1
7	110924-02	Poignée de verrouillage	1
8	107708-01	Vis, PPH, B, 8-18 x 0,88 po	8
9	110906-02	Partie gauche du boîtier de poignée	1
10	110908-02	Levier de verrouillage « MARCHE »/» ARRÊT »	1
11	107694-01	Ressort de verrouillage	1
12	109357-01	Ressort de la gâchette	1
13	107729-01	Micro-rupteur	1
14	110907-02	Gâchette	1
15	110905-02	Partie droite du boîtier de poignée	1
16	111249-02	Cordon électrique avec enveloppe de protection	1
17	116293-01	Vis à tête bombée 8-32 x 2 po	4
18	118132-01	Bride de la came	1
19	118152-01	Rondelle M5	1
20	118151-01	Contre-écrou M5	1
21	118258-01	Contre-écrou 8-32	1

GARANTIE LIMITÉE DU TAILLE-HAIE ÉLECTRIQUE À PERCHE

Précisez toujours le numéro de modèle et le numéro de série lorsque vous écrivez à l'usine.

Nous nous réservons le droit de modifier les présentes caractéristiques en tout temps, sans aucun préavis. La seule garantie qui s'applique est notre garantie écrite standard. Nous n'offrons aucune autre garantie de quelque sorte que ce soit, explicite ou implicite.

DESA Specialty Products^{MC} garantit que ce taille-haie électrique à perche ainsi que les pièces qui en font partie sont exempts de tout défaut de matériau et de fabrication pour une durée de deux ans (pour une durée de 90 jours pour les appareils réusinés), à compter de la date d'achat auprès d'un détaillant autorisé, à la condition que le produit ait été entretenu correctement et utilisé conformément aux directives fournies. Le reçu de caisse ou une preuve d'achat doit être présentée pour toute réclamation en vertu de la présente garantie.

Cette garantie touche seulement l'acheteur original. Elle vise en outre les pièces et la main-d'œuvre nécessaire pour remettre le taille-haie électrique à perche en bon état de fonctionnement. Les pièces sous garantie doivent être obtenues d'un détaillant ou d'un centre de service autorisé pour ce produit. Ces détaillants et centres de service s'engagent à fournir des pièces de rechange d'origine. Le fait de ne pas utiliser de pièces de rechange d'origine annule la présente garantie.

La présente garantie ne s'applique pas à l'utilisation commerciale, industrielle ou sous location et ne vise pas les pièces qui ne sont pas dans l'état original par suite d'une usure normale ni les pièces défectueuses ou endommagées par suite d'une utilisation abusive, d'un accident, d'un manque d'entretien, d'une altération ou d'une modification. Il revient au propriétaire d'assurer la responsabilité des frais relatifs à l'expédition, à la manutention, au transport ou aux coûts connexes nécessaires pour assurer les réparations sous garantie.

Dans les limites permise par les lois en vigueur qui régissent la vente du produit, la présente garantie exclut toute autre garantie explicite et limite à une durée de deux ans à compter de la date d'achat toute garantie implicite, y compris les garanties de marchandabilité et d'adaptabilité à un usage particulier; de plus, la responsabilité de DESA Specialty Products^{MC} en vertu des présentes se limite au prix d'achat du produit. DESA Specialty Products^{MC} ne peut être en aucun cas tenue responsable de tout autre dommage, quel qu'il soit, notamment des dommages indirects, accidentels ou consécutifs.

Certains états ne reconnaissent pas les restrictions quant à la durée des garanties implicites ni les exclusions ou les restrictions quant aux dommages accidentels ou consécutifs; il se peut donc que ces restrictions relatives aux dommages ne s'appliquent pas à votre situation.

La présente garantie accorde à l'acheteur original des droits précis. Pour plus de détails sur ces droits, veuillez consulter les lois en vigueur.

Modèle _____
Date d'achat _____



P.O. Box 90004
Bowling Green, KY 42102-9004
www.desatech.com

DESA
Industries of Canada, Inc.
2220 Argentia Road
Unit #4
Mississauga, Ontario
L5N 2K7
905-826-8010
FAX 905-826-8236